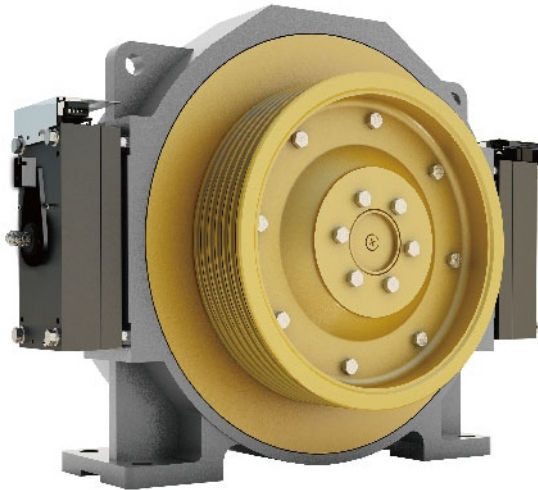
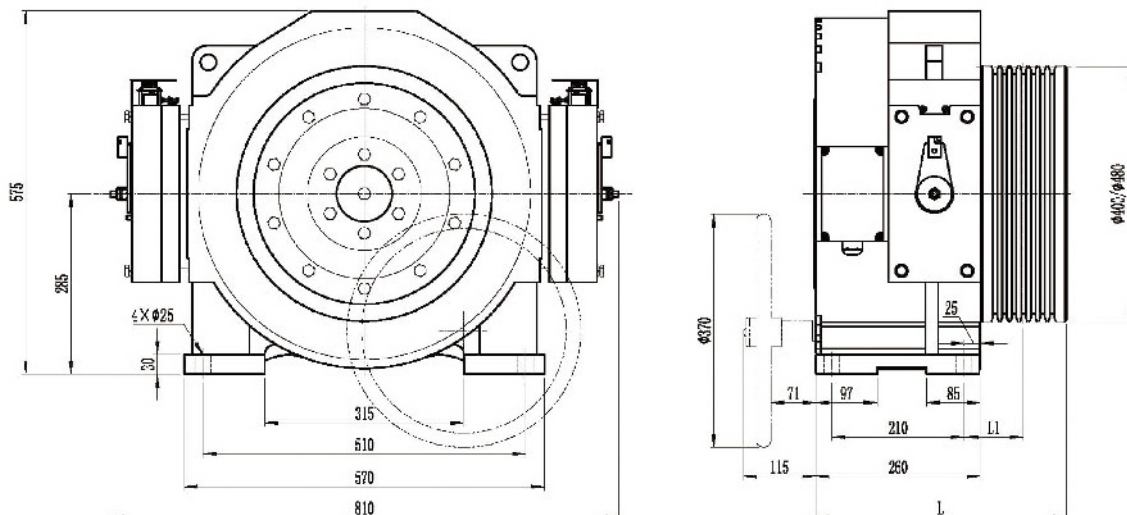


MCK300



Voltage	380V
Roping	2:1
Wrap	Single
Elv. Load	(1250~1600)kg
Elv. Speed	(0.5~2.5)m/s
Sheave Diam	400mm/480mm
Duty	S5-40%ED
Max. Static Load	6000kg
Weight	520kg
Brake	DC110V 2×1.6A
IP Code	IP41
Ins. Class	F

Dimensions



Permanent Magnet Synchronous
Gearless Traction Machine

Spec. Sheet

Type	Spec	Elv Load	Elv Speed	Sheave Dia	Sheave Groove	Current	Power	Speed	Freq	Torque	Poles	L	L1	Undercut Angle
		kg	m/s	mm		A	kW	r/min	Hz	N·m		mm	mm	°
MCK300	1250-0.5A	1250	0.5	400	6×Φ10×15	13	4.3	48	12.8	850	32	381	86	95
MCK300	1250-0.63A	1250	0.63	400	6×Φ10×15	13	5.3	60	16.0	850	32	381	86	
MCK300	1250-1.0A	1250	1.0	400	6×Φ10×15	20	8.5	95	25.3	850	32	381	86	
MCK300	1250-1.5A	1250	1.5	400	6×Φ10×15	34	12.7	143	38.1	850	32	381	86	
MCK300	1250-1.6A	1250	1.6	400	6×Φ10×15	34	13.6	153	40.8	850	32	381	86	
MCK300	1250-1.75A	1250	1.75	400	6×Φ10×15	34	14.9	167	44.5	850	32	381	86	
MCK300	1250-2.0A	1250	2.0	400	6×Φ10×15	38	17.0	191	50.9	850	32	381	86	
MCK300	1250-2.5A	1250	2.5	480	7×Φ10×15	45	21.3	199	53.1	1020	32	381	86	
MCK300	1350-0.5A	1350	0.5	400	7×Φ10×15	14	4.6	48	12.8	920	32	381	86	
MCK300	1350-0.63A	1350	0.63	400	7×Φ10×15	14	5.8	60	16.0	920	32	381	86	
MCK300	1350-1.0A	1350	1.0	400	7×Φ10×15	21	9.2	95	25.3	920	32	381	86	
MCK300	1350-1.5A	1350	1.5	400	7×Φ10×15	36	13.8	143	38.1	920	32	381	86	
MCK300	1350-1.6A	1350	1.6	400	7×Φ10×15	36	14.7	153	40.8	920	32	381	86	
MCK300	1350-1.75A	1350	1.75	400	7×Φ10×15	36	16.1	167	44.5	920	32	381	86	
MCK300	1350-2.0A	1350	2.0	400	7×Φ10×15	40	18.4	191	50.9	920	32	381	86	
MCK300	1350-2.5A	1350	2.5	480	7×Φ10×15	52	22.9	199	53.1	1100	32	381	86	
MCK300	1600-0.5A	1600	0.5	400	7×Φ10×15	18	5.6	48	12.8	1110	32	381	86	
MCK300	1600-0.63A	1600	0.63	400	7×Φ10×15	18	7.0	60	16.0	1110	32	381	86	
MCK300	1600-1.0A	1600	1.0	400	7×Φ10×15	26	11.0	95	25.3	1110	32	381	86	
MCK300	1600-1.5A	1600	1.5	400	8×Φ10×15	41	16.6	143	38.1	1110	32	396	93.5	
MCK300	1600-1.6A	1600	1.6	400	8×Φ10×15	41	17.8	153	40.8	1110	32	396	93.5	
MCK300	1600-1.75A	1600	1.75	400	8×Φ10×15	41	19.4	167	44.5	1110	32	396	93.5	
MCK300	1600-2.0A	1600	2.0	400	8×Φ10×15	47	22.2	191	50.9	1110	32	396	93.5	

Remark:

1. This model could be used for either machine room elevator or machine roomless elevator.
2. AC220V rectifier for brake is optional.
3. The above value of undercut angle is recommended based on regular standard. It's optional according to practical condition.

