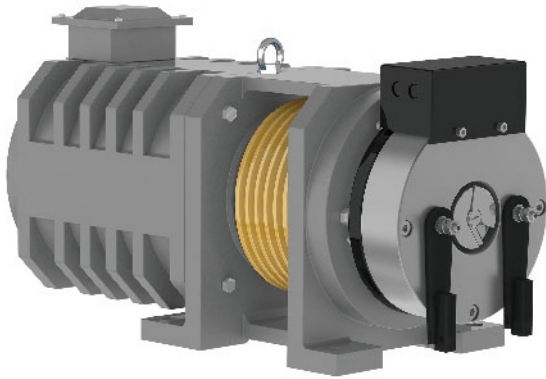
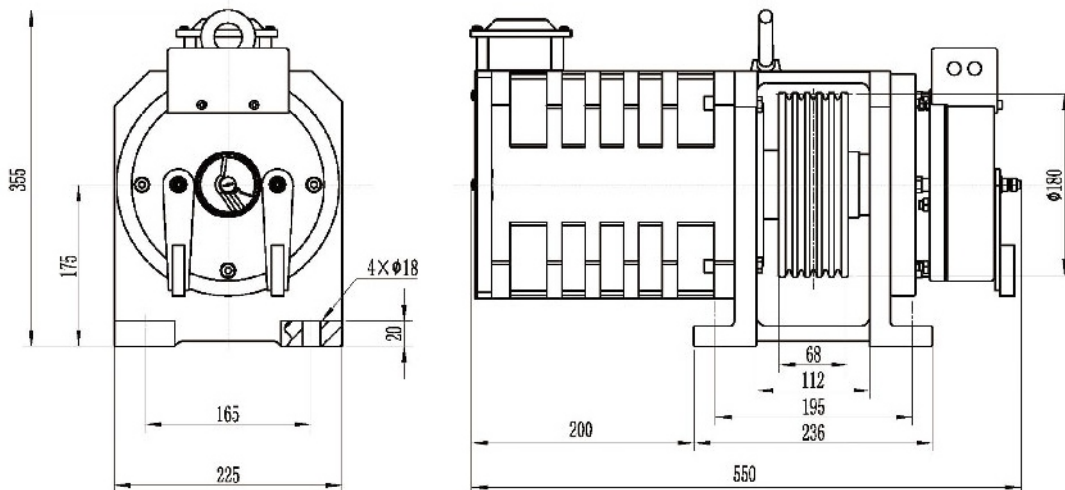


# MONA180A



Voltage	220V/380V
Roping	2:1
Wrap	Single
Elv. Load	(320~450)kg
Elv. Speed	(0.4~1.0)m/s
Sheave Diam	180mm
Duty	S5-40%ED
Max. Static Load	2000kg
Weight	140kg
Brake	DC110V 2×1.2A
IP Code	IP41
Ins. Class	F

## Dimensions



# Spec. Sheet

Type	Roping	Spec	Elv Load	Elv Speed	Sheave Dia	Sheave Groove	Voltage	Current	Power	Speed	Freq	Torque	Poles	Undercut Angle							
			kg	m/s	mm		V	A	kW	r/min	Hz	N·m		°							
MONA180A	2:1	320-0.4A	320	0.4	180	4×Φ6×12	380	4	0.9	85	11.3	100	16	90							
							220	6													
MONA180A	2:1	320-0.5A	320	0.5	180	4×Φ6×12	220	6	1.1	106	14.1	100	16		90						
							380	4													
MONA180A	2:1	320-0.63A	320	0.63	180	4×Φ6×12	220	6	1.4	134	17.9	100	16			90					
							380	4													
MONA180A	2:1	320-1.0A	320	1.0	180	4×Φ6×12	220	9	2.2	212	28.3	100	16				90				
							380	6													
MONA180A	2:1	400-0.4A	400	0.4	180	5×Φ6×12	220	7	1.1	85	11.3	120	16					90			
							380	4													
MONA180A	2:1	400-0.5A	400	0.5	180	5×Φ6×12	220	7	1.3	106	14.1	120	16						90		
							380	5													
MONA180A	2:1	400-0.63A	400	0.63	180	5×Φ6×12	220	7	1.8	134	17.9	130	16							90	
							380	5													
MONA180A	2:1	400-1.0A	400	1.0	180	5×Φ6×12	220	11	2.7	212	28.3	120	16								90
							380	7													
MONA180A	2:1	450-0.4A	450	0.4	180	5×Φ6×12	220	8	1.2	85	11.3	140	16	90							
							380	5													
MONA180A	2:1	450-0.5A	450	0.5	180	5×Φ6×12	220	8	1.6	106	14.1	140	16		90						
							380	6													
MONA180A	2:1	450-0.63A	450	0.63	180	5×Φ6×12	220	8	2	134	17.9	140	16			90					
							380	6													
MONA180A	2:1	450-1.0A	450	1.0	180	5×Φ6×12	220	13	3.1	212	28.3	140	16				90				
							380	8													

Remark:

1. This model is used for machine roomless elevator.
2. The above value of undercut angle is recommended based on regular standard.  
It's optional according to practical condition.

