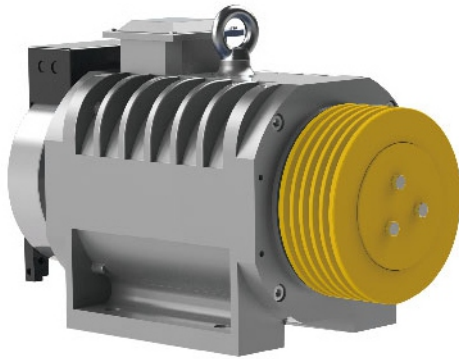
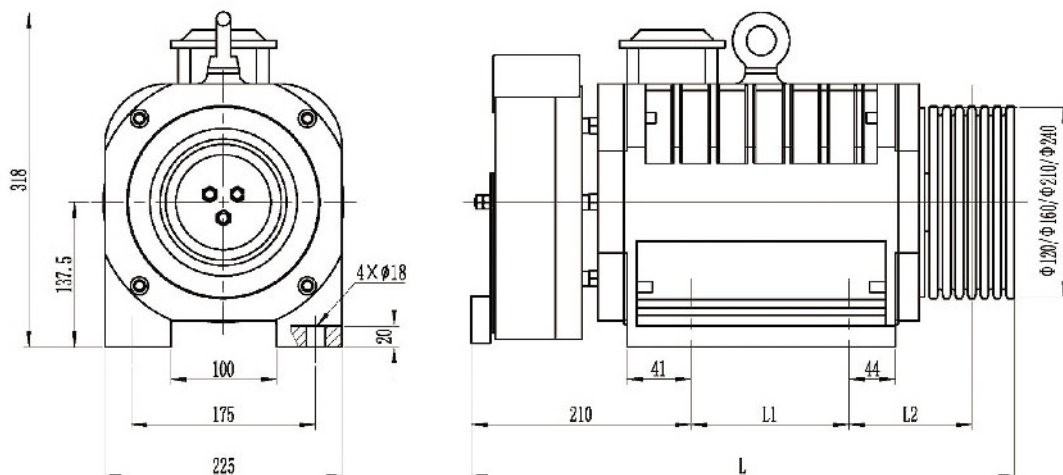


# MONA180



Voltage	220V/380V
Roping	2:1
Wrap	Single
Elv. Load	(320~800)kg
Elv. Speed	(0.5~1.6)m/s
Sheave Diam	120mm/160mm/210mm/240mm
Duty	S5-40%ED
Max. Static Load	2500kg
Weight	140kg
Brake	DC110V 2×1.2A
IP Code	IP40
Ins. Class	F

## Dimensions



**Permanent Magnet Synchronous**  
Gearless Traction Machine

# Spec. Sheet

Type	Sheave Diam	Roping	Elv Load	Elv Speed	Sheave Groove	Voltage	Current	Power	Speed	Freq	Torque	Poles	L	L1	L2	Undercut Angle
	mm		kg	m/s		A	A	kW	r/min	Hz	N·m		mm	mm	mm	°
MONA180	120	2:1	320	0.5	5×Φ6.5×12	380	4	1.0	159	21.2	60	16	537	150	126.5	90
MONA180		2:1	320	1.0	5×Φ6.5×12	380	5	2.0	318	42.4	60	16	537	150	126.5	
MONA180		2:1	320	1.6	5×Φ6.5×12	380	8	3.2	509	67.9	60	16	537	150	126.5	
MONA180		2:1	400	0.5	5×Φ6.5×12	380	4	1.2	159	21.2	75	16	537	150	126.5	
MONA180		2:1	400	1.0	5×Φ6.5×12	380	7	2.5	318	42.4	75	16	537	150	126.5	
MONA180		2:1	400	1.6	5×Φ6.5×12	380	10	4.0	509	67.9	75	16	537	150	126.5	
MONA180		2:1	450	0.5	6×Φ6.5×12	380	5	1.4	159	21.2	85	16	537	150	126.5	
MONA180		2:1	450	1.0	6×Φ6.5×12	380	7	2.8	318	42.4	85	16	537	150	126.5	
MONA180		2:1	450	1.6	6×Φ6.5×12	380	12	4.5	509	67.9	85	16	537	150	126.5	
MONA180		2:1	630	0.5	7×Φ6.5×12	380	7	2.0	159	21.2	120	16	537	150	126.5	
MONA180		2:1	630	1.0	7×Φ6.5×12	380	11	4.0	318	42.4	120	16	537	150	126.5	
MONA180		2:1	630	1.6	7×Φ6.5×12	380	16	6.4	509	67.9	120	16	537	150	126.5	
MONA180		2:1	800	0.5	8×Φ6.5×12	380	9	2.5	159	21.2	150	16	537	150	126.5	
MONA180		2:1	800	1.0	8×Φ6.5×12	380	14	5.0	318	42.4	150	16	537	150	126.5	
MONA180		2:1	800	1.6	8×Φ6.5×12	380	20	8.0	509	67.9	150	16	537	150	126.5	
MONA180	160	2:1	320	0.5	5×Φ6.5×12	380	4	1.0	119	15.9	80	16	537	150	126.5	
MONA180		2:1	320	1.0	5×Φ6.5×12	380	5	2.0	239	31.9	80	16	537	150	126.5	
MONA180		2:1	320	1.6	5×Φ6.5×12	380	8	3.2	382	50.9	80	16	537	150	126.5	
MONA180		2:1	400	0.5	5×Φ6.5×12	380	4	1.2	119	15.9	100	16	537	150	126.5	
MONA180		2:1	400	1.0	5×Φ6.5×12	380	6	2.5	239	31.9	100	16	537	150	126.5	
MONA180		2:1	400	1.6	5×Φ6.5×12	380	10	4.0	382	50.9	100	16	537	150	126.5	
MONA180		2:1	450	0.5	6×Φ6.5×12	380	5	1.4	119	15.9	110	16	537	150	126.5	
MONA180		2:1	450	1.0	6×Φ6.5×12	380	7	2.8	239	31.9	110	16	537	150	126.5	
MONA180		2:1	450	1.6	6×Φ6.5×12	380	11	4.4	382	50.9	110	16	537	150	126.5	
MONA180		2:1	630	0.5	7×Φ6.5×12	380	6	2.0	119	15.9	160	16	537	150	126.5	
MONA180		2:1	630	1.0	7×Φ6.5×12	380	9	4.0	239	31.9	160	16	537	150	126.5	
MONA180		2:1	630	1.6	7×Φ6.5×12	380	15	6.4	382	50.9	160	16	537	150	126.5	
MONA180		2:1	800	0.5	8×Φ6.5×12	380	8	2.5	119	15.9	200	16	617	220	126.5	
MONA180		2:1	800	1.0	8×Φ6.5×12	380	12	5.0	239	31.9	200	16	617	220	126.5	
MONA180		2:1	800	1.6	8×Φ6.5×12	380	19	8.0	382	50.9	200	16	617	220	126.5	
MONA180	210	2:1	320	0.5	5×Φ6.5×12	380	4	1.0	91	12.1	105	16	537	150	126.5	
MONA180		2:1	320	1.0	5×Φ6.5×12	380	5	2.0	182	24.3	105	16	537	150	126.5	
MONA180		2:1	320	1.6	5×Φ6.5×12	380	8	3.2	291	38.8	105	16	537	150	126.5	
MONA180		2:1	400	0.5	5×Φ6.5×12	380	4	1.2	91	12.1	130	16	537	150	126.5	
MONA180		2:1	400	1.0	5×Φ6.5×12	380	6	2.5	182	24.3	130	16	537	150	126.5	
MONA180		2:1	400	1.6	5×Φ6.5×12	380	10	4.0	291	38.8	130	16	537	150	126.5	
MONA180		2:1	450	0.5	6×Φ6.5×12	380	5	1.4	91	12.1	150	16	537	150	126.5	
MONA180		2:1	450	1.0	6×Φ6.5×12	380	7	2.9	182	24.3	150	16	537	150	126.5	
MONA180		2:1	450	1.6	6×Φ6.5×12	380	11	4.6	291	38.8	150	16	537	150	126.5	
MONA180		2:1	630	0.5	7×Φ6.5×12	380	6	2.0	91	12.1	210	16	617	220	126.5	
MONA180		2:1	630	1.0	7×Φ6.5×12	380	10	4.0	182	24.3	210	16	617	220	126.5	
MONA180		2:1	630	1.6	7×Φ6.5×12	380	15	6.4	291	38.8	210	16	617	220	126.5	
MONA180		240	2:1	320	0.5	5×Φ6.5×12	380	4	1.0	80	10.7	120	16	537	150	126.5
MONA180			2:1	320	1.0	5×Φ6.5×12	380	6	2.0	159	21.2	120	16	537	150	126.5
MONA180			2:1	320	1.6	5×Φ6.5×12	380	9	3.2	255	34.0	120	16	537	150	126.5
MONA180	2:1		400	0.5	5×Φ6.5×12	380	5	1.3	80	10.7	150	16	537	150	126.5	
MONA180	2:1		400	1.0	5×Φ6.5×12	380	7	2.5	159	21.2	150	16	537	150	126.5	
MONA180	2:1		400	1.6	5×Φ6.5×12	380	11	4.0	255	34.0	150	16	537	150	126.5	
MONA180	2:1		450	0.5	6×Φ6.5×12	380	5	1.4	80	10.7	170	16	617	220	126.5	
MONA180	2:1		450	1.0	6×Φ6.5×12	380	8	2.8	159	21.2	170	16	617	220	126.5	
MONA180	2:1		450	1.6	6×Φ6.5×12	380	12	4.5	255	34.0	170	16	617	220	126.5	
MONA180	2:1		540	0.5	7×Φ6.5×12	380	6	1.7	80	10.7	205	16	617	220	126.5	
MONA180	2:1		540	1.0	7×Φ6.5×12	380	9	3.4	159	21.2	205	16	617	220	126.5	
MONA180	2:1		540	1.6	7×Φ6.5×12	380	15	5.5	255	34.0	205	16	617	220	126.5	

Remark:

1. This model is used for machine roomless elevator.
2. The above value of undercut angle is recommended based on regular standard.  
It's optional according to practical condition.