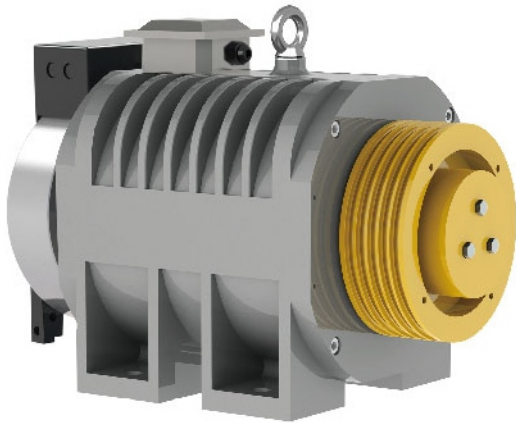
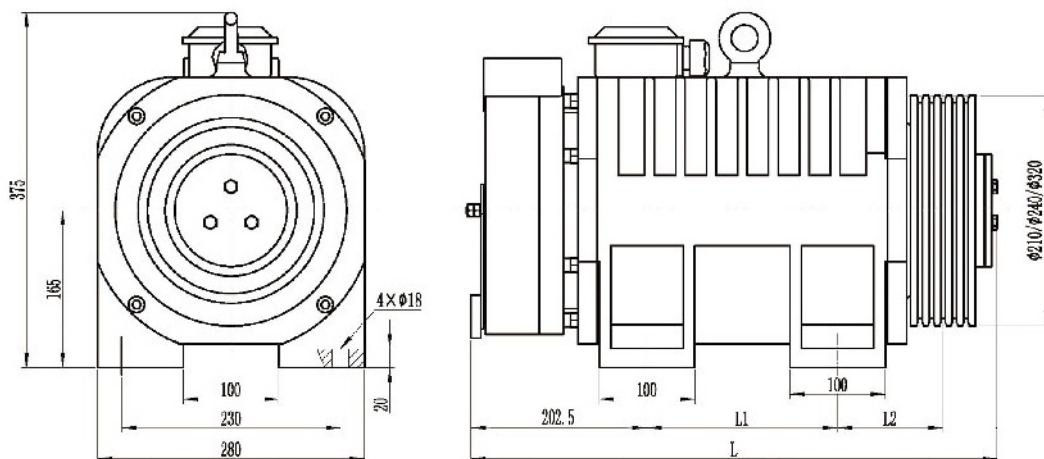


MONA200



Voltage	220V/380V
Roping	2:1
Wrap	Single
Elv. Load	(320~630)kg
Elv. Speed	(0.4~1.5)m/s
Sheave Diam	210mm/240mm/320mm
Duty	S5-40%ED
Max. Static Load	2500kg
Weight	210kg
Brake	DC110V 2.5A
IP Code	IP41
Ins. Class	F

Dimensions



Permanent Magnet Synchronous
Gearless Traction Machine

Spec. Sheet

Type	Sheave Diam	Roping	Elv Load	Elv Speed	Sheave Groove	Voltage	Current	Power	Speed	Freq	Torque	Poles	L	L1	L2	Undercut Angle	
	mm		kg	m/s		V	A	kW	r/min	Hz	N·m		mm	mm	mm	°	
MONA200	210	2:1	320	0.5	5×Φ6.5×12	380	4	1.0	91	18.2	105	24	462	100	116.5	90	
MONA200		2:1	320	1.0	5×Φ6.5×12	380	5	2.0	182	36.4	105	24	462	100	116.5		
MONA200		2:1	320	1.6	5×Φ6.5×12	380	9	3.2	291	58.2	105	24	462	100	116.5		
MONA200		2:1	400	0.5	5×Φ6.5×12	380	5	1.2	91	18.2	130	24	462	100	116.5		
MONA200		2:1	400	1.0	5×Φ6.5×12	380	7	2.5	182	36.4	130	24	462	100	116.5		
MONA200		2:1	400	1.6	5×Φ6.5×12	380	11	4.0	291	58.2	130	24	462	100	116.5		
MONA200		2:1	450	0.5	6×Φ6.5×12	380	6	1.4	91	18.2	150	24	462	100	116.5		
MONA200		2:1	450	1.0	6×Φ6.5×12	380	8	2.9	182	36.4	150	24	462	100	116.5		
MONA200		2:1	450	1.6	6×Φ6.5×12	380	12	4.6	291	58.2	150	24	462	100	116.5		
MONA200		2:1	630	0.5	7×Φ6.5×12	380	8	2.0	91	18.2	210	24	552	150	126.5		
MONA200		2:1	630	1.0	7×Φ6.5×12	380	11	4.0	182	36.4	210	24	552	150	126.5		
MONA200		2:1	630	1.6	7×Φ6.5×12	380	16	6.4	291	58.2	210	24	552	150	126.5		
MONA200		2:1	800	0.5	8×Φ6.5×12	380	8	2.5	91	18.2	265	24	552	150	126.5		
MONA200		2:1	800	1.0	8×Φ6.5×12	380	13	5.1	182	36.4	265	24	552	150	126.5		
MONA200		2:1	800	1.6	8×Φ6.5×12	380	20	8.1	291	58.2	265	24	552	150	126.5		
MONA200		240	2:1	320	0.5	5×Φ6.5×12	380	5	1.0	80	16.0	120	24	462	100		116.5
MONA200			2:1	320	1.0	5×Φ6.5×12	380	6	2.0	159	31.8	120	24	462	100		116.5
MONA200			2:1	320	1.6	5×Φ6.5×12	380	10	3.2	255	51.0	120	24	462	100		116.5
MONA200	2:1		400	0.5	5×Φ6.5×12	380	6	1.3	80	16.0	150	24	462	100	116.5		
MONA200	2:1		400	1.0	5×Φ6.5×12	380	8	2.5	159	31.8	150	24	462	100	116.5		
MONA200	2:1		400	1.6	5×Φ6.5×12	380	12	4.0	255	51.0	150	24	462	100	116.5		
MONA200	2:1		450	0.5	6×Φ6.5×12	380	4	1.4	80	16.0	170	24	552	150	126.5		
MONA200	2:1		450	1.0	6×Φ6.5×12	380	6	2.8	159	31.8	170	24	552	150	126.5		
MONA200	2:1		450	1.6	6×Φ6.5×12	380	11	4.5	255	51.0	170	24	552	150	126.5		
MONA200	2:1		630	0.5	7×Φ6.5×12	380	8	2.0	80	16.0	240	24	552	150	126.5		
MONA200	2:1		630	1.0	7×Φ6.5×12	380	9	4.0	159	31.8	240	24	552	150	126.5		
MONA200	2:1		630	1.6	7×Φ6.5×12	380	17	6.4	255	51.0	240	24	552	150	126.5		
MONA200	2:1		800	0.5	8×Φ6.5×12	380	9	2.6	80	16.0	305	24	602	200	126.5		
MONA200	2:1		800	1.0	8×Φ6.5×12	380	11	5.1	159	31.8	305	24	602	200	126.5		
MONA200	2:1		800	1.6	8×Φ6.5×12	380	20	8.1	255	51.0	305	24	602	200	126.5		
MONA200	320		2:1	320	0.5	3×Φ8×12	380	4	1.1	60	12.0	170	24	430	100		100.5
MONA200			2:1	320	0.63	3×Φ8×12	380	4	1.3	75	15.0	170	24	430	100		100.5
MONA200			2:1	320	1.0	3×Φ8×12	380	6	2.1	119	23.8	170	24	430	100		100.5
MONA200		2:1	400	0.5	4×Φ8×12	380	5	1.4	60	12.0	220	24	520	150	110.5		
MONA200		2:1	400	0.63	4×Φ8×12	380	5	1.7	75	15.0	220	24	520	150	110.5		
MONA200		2:1	400	1.0	4×Φ8×12	380	8	2.7	119	23.8	220	24	520	150	110.5		
MONA200		2:1	450	0.5	4×Φ8×12	380	6	1.5	60	12.0	240	24	520	150	110.5		
MONA200		2:1	450	0.63	4×Φ8×12	380	6	1.9	75	15.0	240	24	520	150	110.5		
MONA200		2:1	450	1.0	4×Φ8×12	380	9	3.0	119	23.8	240	24	520	150	110.5		
MONA200		2:1	630	0.5	5×Φ8×12	380	8	2.1	60	12.0	340	24	570	200	110.5		
MONA200		2:1	630	0.63	5×Φ8×12	380	8	2.7	75	15.0	340	24	570	200	110.5		
MONA200		2:1	630	1.0	5×Φ8×12	380	11	4.2	119	23.8	340	24	570	200	110.5		
MONA200		2:1	630	1.6	5×Φ8×12	380	16	6.4	179	35.8	340	24	570	200	110.5		

Remark:

1. This model is used for machine roomless elevator.
2. The above value of undercut angle is recommended based on regular standard.
It's optional according to practical condition.