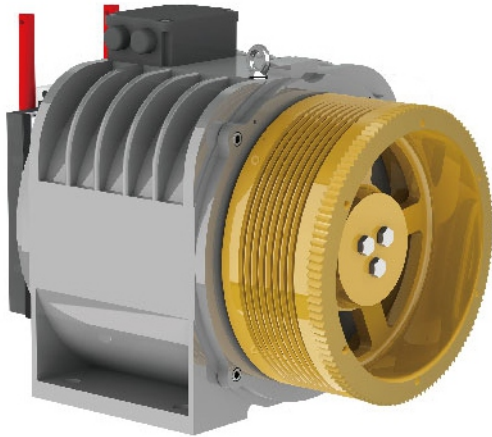
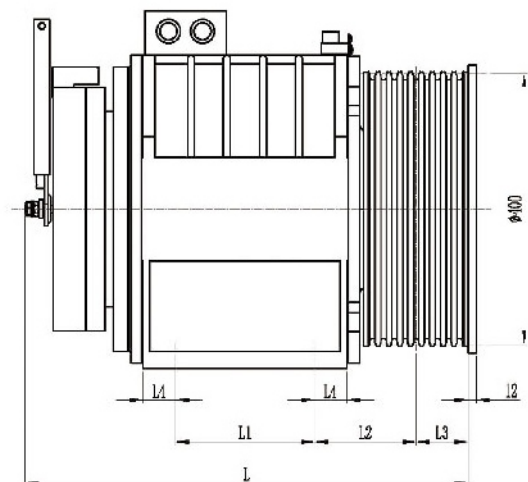
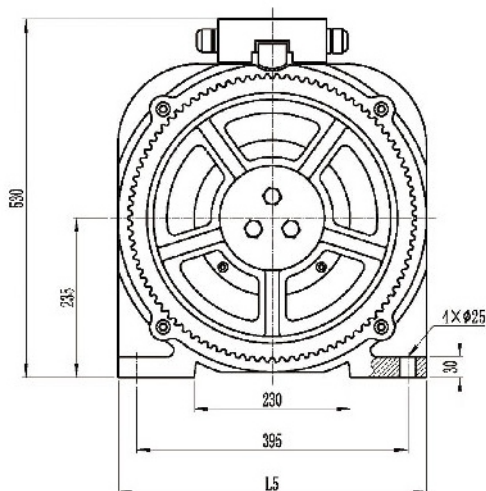


MONA400



Voltage	380V
Roping	2:1
Wrap	Single
Elv. Load	(800~1600)kg
Elv. Speed	(0.5~2.5)m/s
Sheave Diam	400mm
Duty	S5-40%ED
Max. Static Load	5500kg
Weight	480kg
Brake	DC110V 2x1.8A
IP Code	IP41
Ins. Class	F

Dimensions



Permanent Magnet Synchronous
Gearless Traction Machine

Spec. Sheet

Type	Spec	Elv Load	Elv Speed	Sheave Dia	Sheave Groove	Current	Power	Speed	Freq	Torque	Poles	L	L1	L2	L3	L4	L5	Undercut Angle
		kg	m/s	mm		A	kW	r/min	Hz	N·m		mm	mm	mm	mm	mm	mm	°
MONA400	800-1.0	800	1.0	400	5×Φ10×15	13	5.4	95	25.3	540	32	480	105	108.5	45	38	455	95
MONA400	800-1.5	800	1.5	400	5×Φ10×15	20	8.1	143	38.1	540	32	480	105	108.5	45	38	455	
MONA400	800-1.6	800	1.6	400	5×Φ10×15	20	8.7	153	40.8	540	32	480	105	108.5	45	38	455	
MONA400	800-1.75	800	1.75	400	5×Φ10×15	20	9.4	167	44.5	540	32	480	105	108.5	45	38	455	
MONA400	800-2.0	800	2.0	400	5×Φ10×15	23	10.8	191	50.9	540	32	480	105	108.5	45	38	455	
MONA400	800-2.5	800	2.5	400	5×Φ10×15	29	13.5	239	63.7	540	32	480	105	108.5	45	38	455	
MONA400	1000-1.0	1000	1.0	400	5×Φ10×15	16	6.7	95	25.3	670	32	505	130	108.5	45	38	455	
MONA400	1000-1.5	1000	1.5	400	5×Φ10×15	25	10.0	143	38.1	670	32	505	130	108.5	45	38	455	
MONA400	1000-1.6	1000	1.6	400	5×Φ10×15	25	10.7	153	40.8	670	32	505	130	108.5	45	38	455	
MONA400	1000-1.75	1000	1.75	400	5×Φ10×15	25	11.7	167	44.5	670	32	505	130	108.5	45	38	455	
MONA400	1000-2.0	1000	2.0	400	5×Φ10×15	29	13.4	191	50.9	670	32	505	130	108.5	45	38	455	
MONA400	1000-2.5	1000	2.5	400	6×Φ10×15	36	16.8	239	63.7	670	32	521	130	116.5	53	38	455	
MONA400	1150-1.0	1150	1.0	400	5×Φ10×15	18	7.8	95	25.3	780	32	509	148	108.5	45	38	455	
MONA400	1150-1.5	1150	1.5	400	6×Φ10×15	29	11.7	143	38.1	780	32	525	148	116.5	53	38	455	
MONA400	1150-1.6	1150	1.6	400	6×Φ10×15	29	12.5	153	40.8	780	32	525	148	116.5	53	38	455	
MONA400	1150-1.75	1150	1.75	400	6×Φ10×15	29	13.6	167	44.5	780	32	525	148	116.5	53	38	455	
MONA400	1150-2.0	1150	2.0	400	6×Φ10×15	33	15.6	191	50.9	780	32	525	148	116.5	53	38	455	
MONA400	1150-2.5	1150	2.5	400	6×Φ10×15	43	19.5	239	63.7	780	32	525	148	116.5	53	38	455	
MONA400	1350-1.0	1350	1.0	400	7×Φ10×15	21	9.2	95	25.3	920	32	685	205	150.5	77	48	475	
MONA400	1350-1.5	1350	1.5	400	7×Φ10×15	34	13.8	143	38.1	920	32	685	205	150.5	77	48	475	
MONA400	1350-1.6	1350	1.6	400	7×Φ10×15	34	14.7	153	40.8	920	32	685	205	150.5	77	48	475	
MONA400	1350-1.75	1350	1.75	400	7×Φ10×15	34	16.1	167	44.5	920	32	685	205	150.5	77	48	475	
MONA400	1350-2.0	1350	2.0	400	7×Φ10×15	39	18.4	191	50.9	920	32	685	205	150.5	77	48	475	
MONA400	1350-2.5	1350	2.5	400	7×Φ10×15	50	23	239	63.7	920	32	685	205	150.5	77	48	475	
MONA400	1600-1.0	1600	1.0	400	7×Φ10×15	25	11.0	95	25.3	1110	32	685	205	150.5	77	48	475	
MONA400	1600-1.5	1600	1.5	400	8×Φ10×15	41	16.6	143	38.1	1110	32	685	205	150.5	77	48	475	
MONA400	1600-1.6	1600	1.6	400	8×Φ10×15	41	17.8	153	40.8	1110	32	685	205	150.5	77	48	475	
MONA400	1600-1.75	1600	1.75	400	8×Φ10×15	41	19.4	167	44.5	1110	32	685	205	150.5	77	48	475	
MONA400	1600-2.0	1600	2.0	400	8×Φ10×15	47	22.2	191	50.9	1110	32	685	205	150.5	77	48	475	
MONA400	1600-2.5	1600	2.5	400	8×Φ10×15	60	27.8	239	63.7	1110	32	685	205	150.5	77	48	475	

Remark:

1. This model could be used for either machine room elevator or machine roomless elevator.
2. The above value of undercut angle is recommended based on regular standard. It's optional according to practical condition.

Permanent Magnet Synchronous
Gearless Traction Machine

