



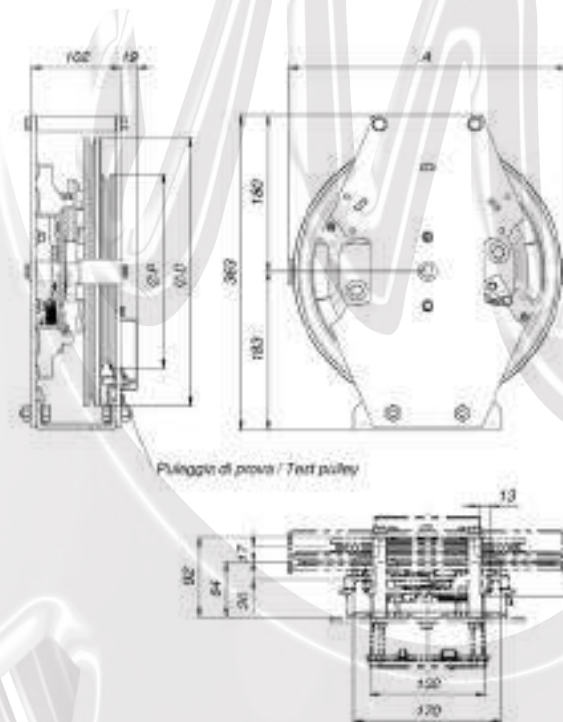
INTRODUCTION

New centrifugal speed governor with rated speed up to 4 m/s and intervention speed up to 5,55 m/s.

- noiseless;
- high speed;
- highly precise: electronically-operated intervention of the electric contact;
- single - bidirectional.

It is available with diameters of 200, 250 and 300 mm; it can be single or bidirectional with factory fit testing groove and phonic wheel. It has many accessories such as: remote control, encoder, anticreeping device, narrow base, and protection cover.

To configure your own RC speed governor version, use the encoding table on page 181.

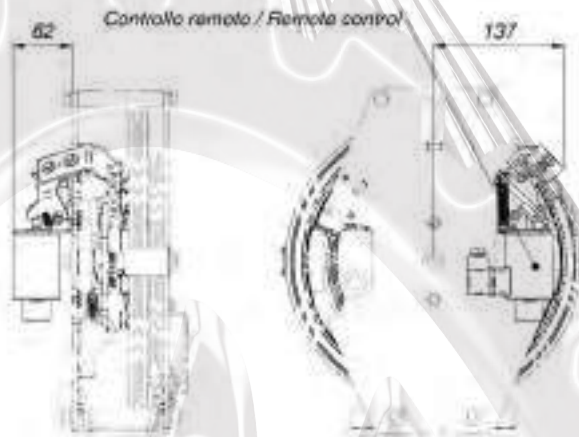


TIPO TYPE TYPE TYP TIPO	PULEGGIA SHEAVE POULIE TS POLEA \varnothing	A	\varnothing D	\varnothing P	V _n	V _I	FUNI ROPES CABLES SEILEN CABLES \varnothing
	mm	mm	mm	mm	m/sec	m/sec	mm
RC200	200	220	210	150	≤ 2.70	1.00-3.70	6 - 6.5
RC250	250	270	260	185	≤ 3.38	1.25-4.63	6 - 8
RC300	300	320	310	225	≤ 4.05	1.50-5.55	6 - 8



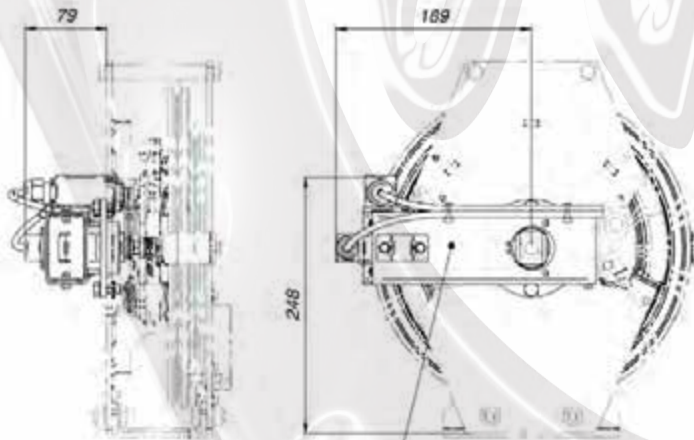
**ACCESSORI / ACCESSORIES
COMPOSANSTS / ZUBEHÖR
ACCESORIOS**

COMANDO A DISTANZA - REMOTE CONTROL
COMMANDE À DISTANCE - FERNSTEUERUNG
CONTROL A DISTANCIA



**ACCESSORI / ACCESSORIES
COMPOSANSTS / ZUBEHÖR
ACCESORIOS**

ANTI DERIVA - ANTI-CREEPING
ANTI DERIVE - ABSINKSCHUTZ
ANTI-DERIVA



Antideriva / Anti-creeping



**ACCESSORI / ACCESSORIES
COMPOSANSTS / ZUBEHÖR
ACCESORIOS**

COPERTURA - COVER - COUVERCLE
ABDECKUNG - CUBIERTA
ART. PE00000521

