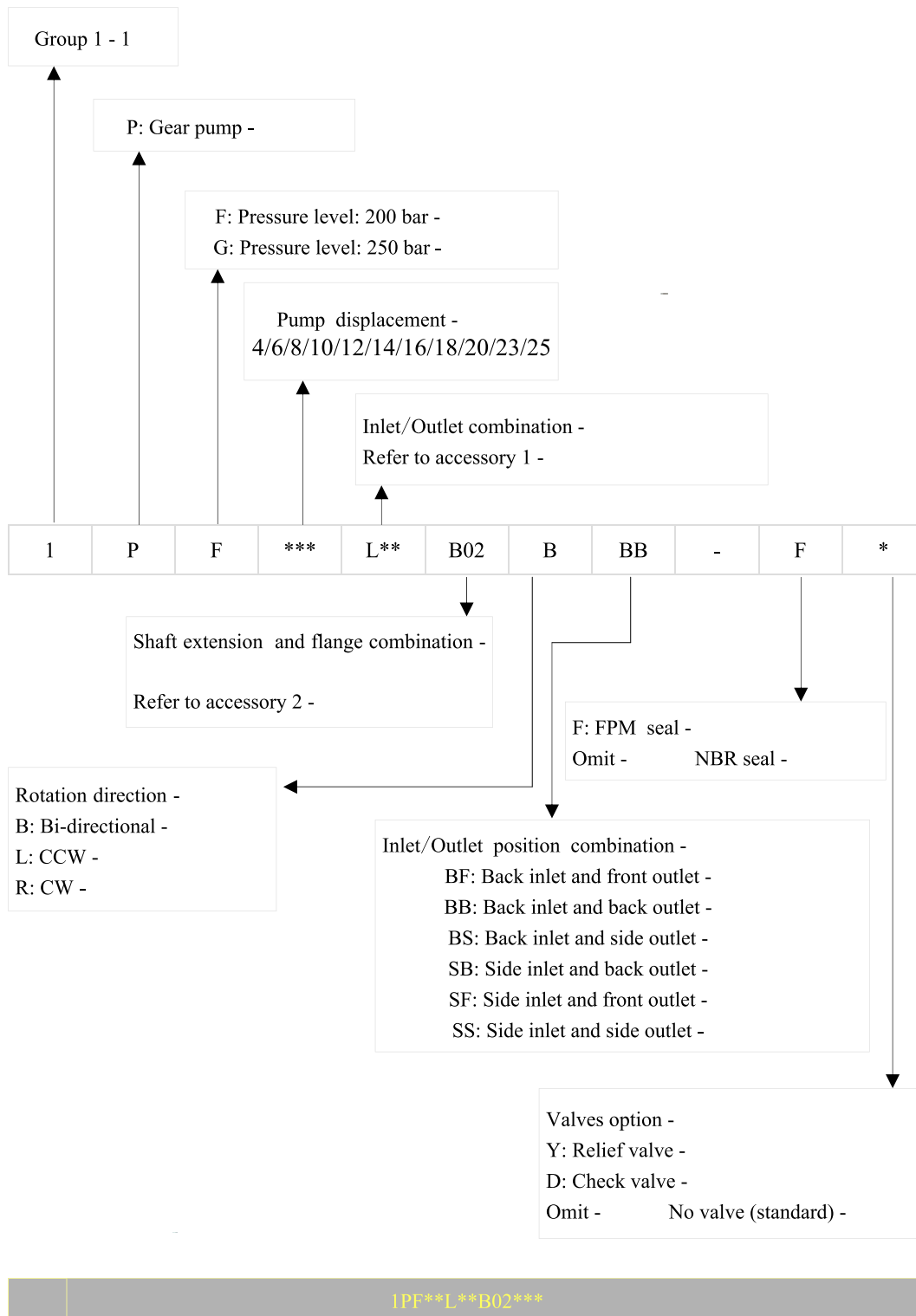


**1PF\*\*L\*\*B02\*\*\***  
 Ordering Code -

1PF





## 1PF\*\*L\*\*B02\*\*\*

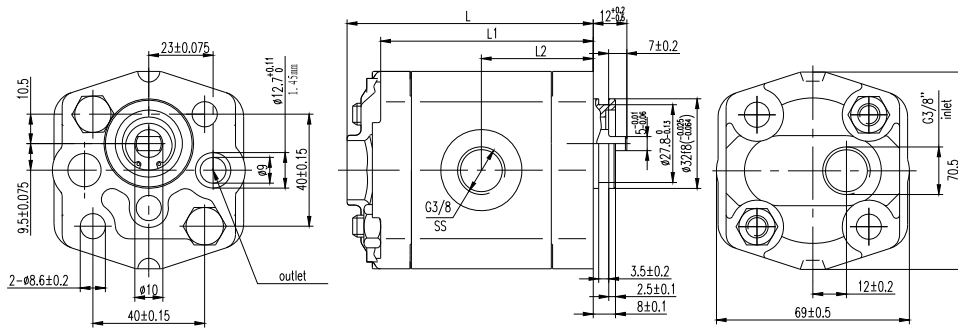
### Specifications -

Model	Displacement (ml/r)	Pressure (bar)		Speed (r/min)			L (mm)	L1 (mm)	SS L2 (mm)	Inlet (mm)
		Rated	Peak	Rated	Max	Min				
1PF1.1L01B02***	1.1	200	250	2000	6000	600	74	63	33	G3/8
1PF1.3L01B02***	1.3	200	250	2000	6000	600	75	64	33.5	
1PF1.6L01B02***	1.6	200	250	2000	6000	600	76	65	34	
1PF1.8L01B02***	1.8	200	250	2000	6000	600	77	66	34.5	
1PF2.1L01B02***	2.1	200	250	2000	6000	600	78	67	35	
1PF2.7L01B02***	2.7	200	250	2000	6000	600	80	69	36	
1PF3.2L01B02***	3.2	200	250	2000	5000	600	82	71	37	
1PF3.7L01B02***	3.7	200	250	2000	4500	600	84	73	38	
1PF4.2L01B02***	4.2	200	250	2000	4000	600	86	75	39	
1PF4.8L01B02***	4.8	160	200	2000	3500	600	88	77	40	
1PF5.8L01B02***	5.8	160	200	2000	2900	600	92	81	42	
1PF8.0L01B02***	8.0	160	200	2000	2100	600	100	89	46	



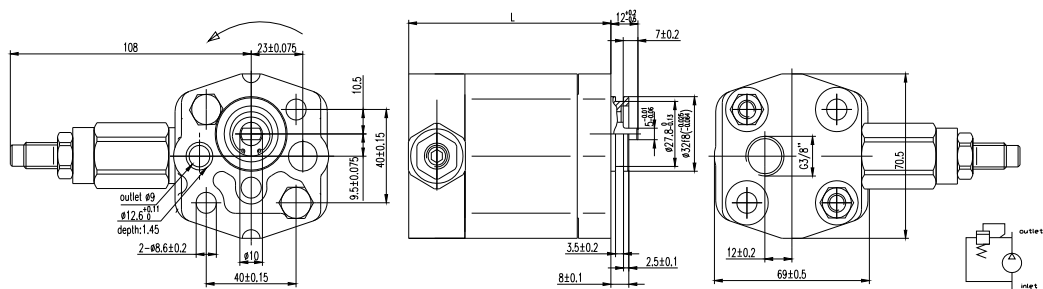
### Dimension -

#### 1PF\*\*\*L01B02 With Relief Valves - 1PF\*\*\*L01B02



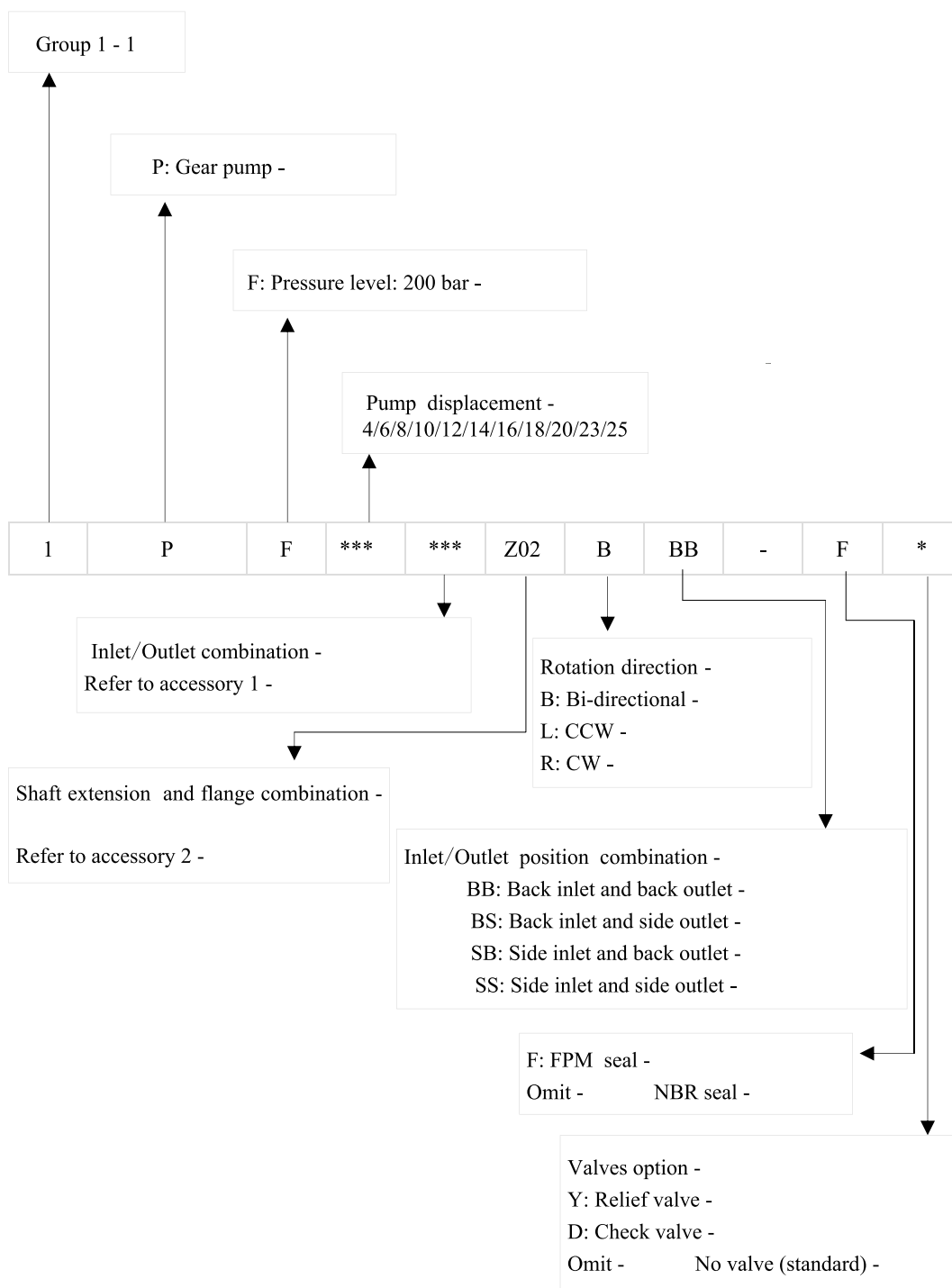
#### Adjusted Pressure of Relief Valves -

#### 50 Bar To 250 Bar



## 1PF\*\*L\*\*B02\*\*\*

1PF





1DPF\*\*/\*\*

Ordering Code -

Group 1 - 1      Group 1+Group1 double pump - 1

DP: Double pump -

F: Pressure level: 200 bar -  
G: Pressure level: 250 bar -

Front pump displacement -  
4/6/8/10/12/14/16/18/20/23/25

1	DP	F	**/**	DF02	Z02	R	-	F
---	----	---	-------	------	-----	---	---	---

Rear pump displacement -  
4/6/8/10/12/14/16/18/20/23/25

Inlet/Outlet combination -  
Refer to accessory 1 -

Rotation direction -  
L: CCW -  
R: CW -

Shaft extension and flange combination -  
Refer to accessory 2 -

F: FPM seal -  
Omit -      NBR seal -

1PF

1DPF\*\*/\*\*



1PF\*\*\*\*\*Z02

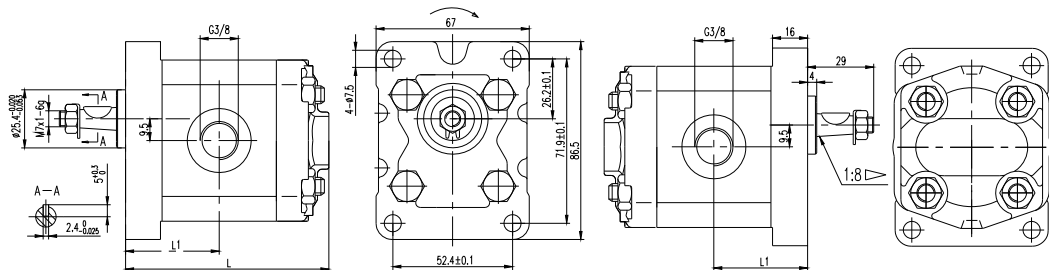
1PF

### Specifications -

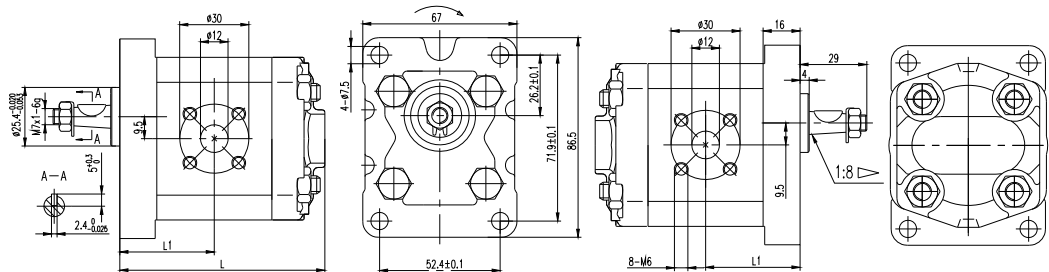
Model	Displacement (ml/r)	Pressure (bar)		Speed (r/min)			L (mm)	L1 (mm)
		Rated	Peak	Rated	Max	Min		
1PF1.1*****Z02**	1.1	200	250	2000	6000	600	75	33
1PF1.3*****Z02**	1.3	200	250	2000	6000	600	76	34
1PF1.6*****Z02**	1.6	200	250	2000	6000	600	78	35
1PF1.8*****Z02**	1.8	200	250	2000	6000	600	78.5	35.5
1PF2.1*****Z02**	2.1	200	250	2000	6000	600	79	36
1PF2.7*****Z02**	2.7	200	250	2000	6000	600	81	37
1PF3.2*****Z02**	3.2	200	250	2000	5000	600	83	38
1PF3.7*****Z02**	3.7	200	250	2000	4500	600	85	39
1PF4.2*****Z02**	4.2	200	250	2000	4000	600	87	40
1PF4.8*****Z02**	4.8	160	200	2000	3500	600	89	41
1PF5.8*****Z02**	5.8	160	200	2000	2900	600	93	43
1PF8.0*****Z02**	8.0	160	200	2000	2100	600	101	47

### Dimension -

1PF\*\*\*L46Z02SS



1PF\*\*\*F01Z02SS



1PF\*\*\*\*\*Z02



# 1PF\*\*\*\*\*Z02/1DPF\*\*\*\*\*Z02

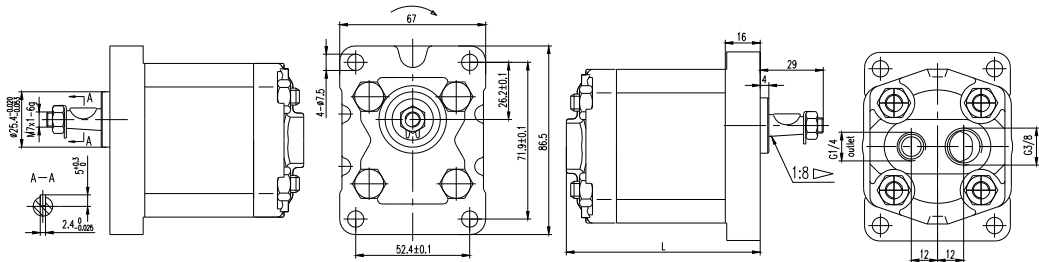
## Specifications -

Model	Displacement (ml/r)	Pressure (bar)		Speed (r/min)			L (mm)	L1 (mm)
		Rated	Peak	Rated	Max	Min		
1PF1.1*****Z02**	1.1	200	250	2000	6000	600	75	33
1PF1.3*****Z02**	1.3	200	250	2000	6000	600	76	34
1PF1.6*****Z02**	1.6	200	250	2000	6000	600	78	35
1PF1.8*****Z02**	1.8	200	250	2000	6000	600	78.5	35.5
1PF2.1*****Z02**	2.1	200	250	2000	6000	600	79	36
1PF2.7*****Z02**	2.7	200	250	2000	6000	600	81	37
1PF3.2*****Z02**	3.2	200	250	2000	5000	600	83	38
1PF3.7*****Z02**	3.7	200	250	2000	4500	600	85	39
1PF4.2*****Z02**	4.2	200	250	2000	4000	600	87	40
1PF4.8*****Z02**	4.8	160	200	2000	3500	600	89	41
1PF5.8*****Z02**	5.8	160	200	2000	2900	600	93	43
1PF8.0*****Z02**	8.0	160	200	2000	2100	600	101	47

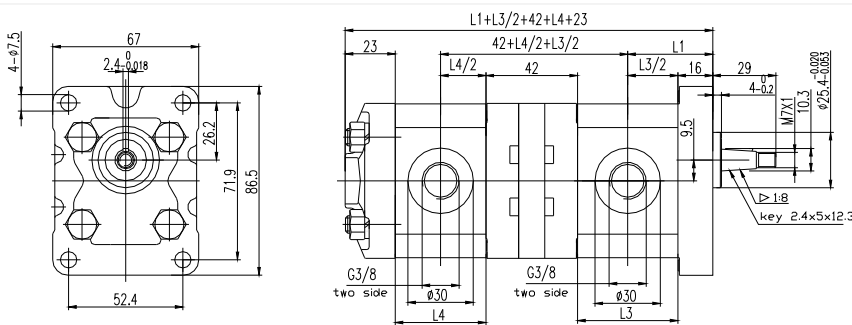


## Dimension -

1PF\*\*\*L44Z02BB



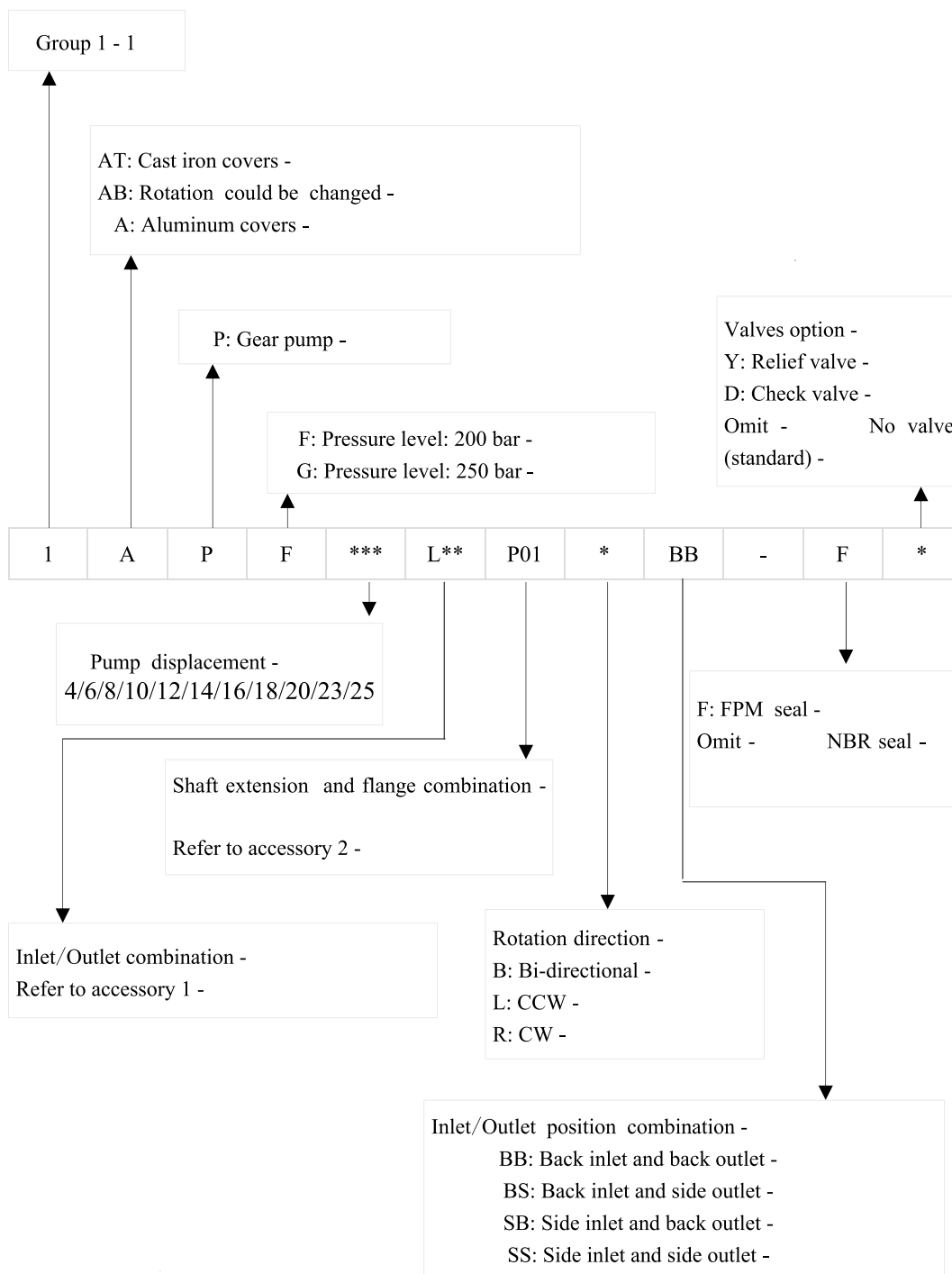
1DPF\*\*\*DL\*\*Z02\* Double Pumps - 1DPF\*\*\*DL\*\*Z02\*



Displacement - ml/r)	1.1	1.3	1.6	2.1	2.7	3.2	3.7	4.2	4.8	5.8	8.0
L3(Front Pump) L4(Rear Pump)	36	37	38	40	42	44	46	48	50	54	62

1PF\*\*\*\*\*Z02/1DPF\*\*\*\*\*Z02

IPF





1ADPF\*\*/\*\*

Ordering Code -

Group 1 - 1    Group 1+Group1 double pump - 1

AT: Cast iron covers -  
A: Aluminum covers -

DP: Double pump -

F: Pressure level: 200 bar -  
G: Pressure level: 250 bar -

1	A	DP	F	**/**	DL**	P01	B	-	F
---	---	----	---	-------	------	-----	---	---	---

Front pump displacement -  
1.3/2.0/2.7/3.4/4.1/4.8/5.5/6.2/6.9/7.6/8.3

Rear pump displacement -  
1.3/2.0/2.7/3.4/4.1/4.8/5.5/6.2/6.9/7.6/8.3

Inlet/Outlet combination -  
Refer to accessory 1 -

Shaft extension and flange combination -  
Refer to accessory 2 -

F: FPM seal -  
Omit -            NBR seal -

Rotation direction -  
B: Bi-directional -  
L: CCW -  
R: CW -



1ADPF\*\*/\*\*





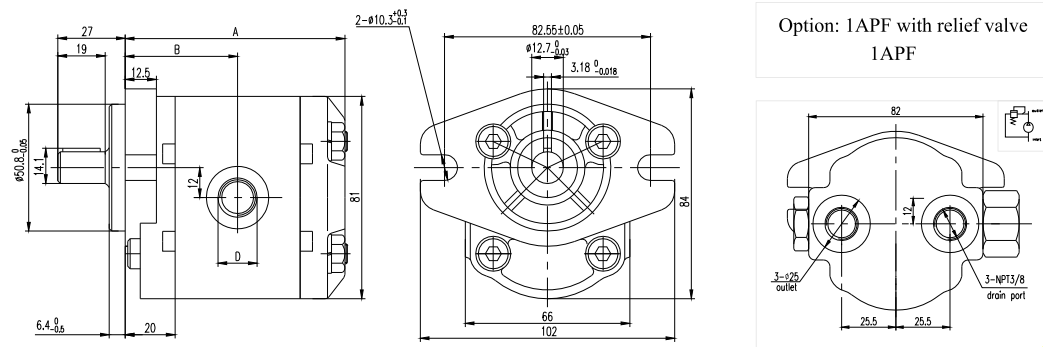
**1APF\*\*\*L\*\*P01\*/1ADPF\*\*\*DL\*\*P01\***

IPF

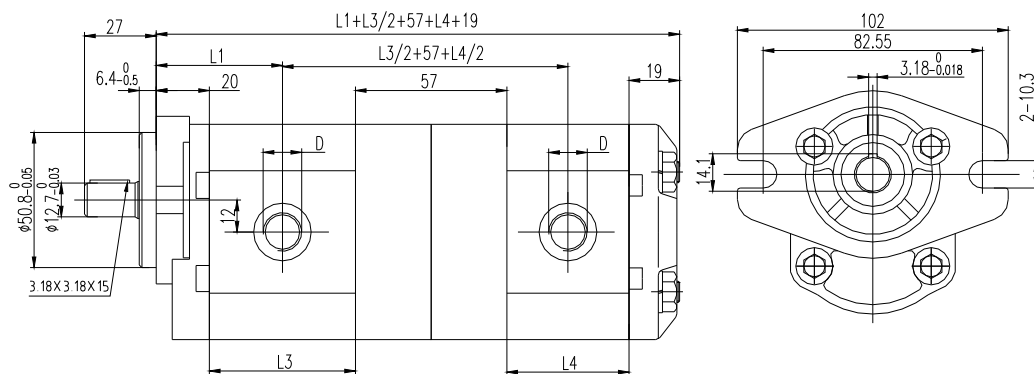
**Specifications -**

Model	Displacement (ml/r)	Pressure (bar)		Speed (r/min)			A (mm)	B (mm)	D (mm)	
		Rated	Peak	Rated	Max	Min			Inlet	Outlet
1APF1.3L05P01*	1.3	200	250	2000	4500	500	82	42	G 1/2	G 3/8
1APF2.0L05P01*	2.0	200	250	2000	4500	500	84	43		
1APF2.7L05P01*	2.7	200	250	2000	4500	500	86	44		
1APF3.4L05P01*	3.4	200	250	2000	4500	500	88	45		
1APF4.1L05P01*	4.1	200	250	2000	4000	500	90	46		
1APF5.1L05P01*	5.1	200	250	2000	3200	500	93	47.5		
1APF6.1L05P01*	6.1	200	250	2000	3200	500	96	49		

**Dimension -**



**1ADPF\*\*/\*\*DL\*\*P01\* Double Pumps - 1ADPF\*\*/\*\*DL\*\*P01\***



Displacement - ml/r)	1.3	2.0	2.7	3.4	4.1	5.1	6.1
L3(Front Pump) L4(Rear Pump)	44	46	48	50	52	55	58

**1APF\*\*\*L\*\*P01\*/1ADPF\*\*\*DL\*\*P01\*/**