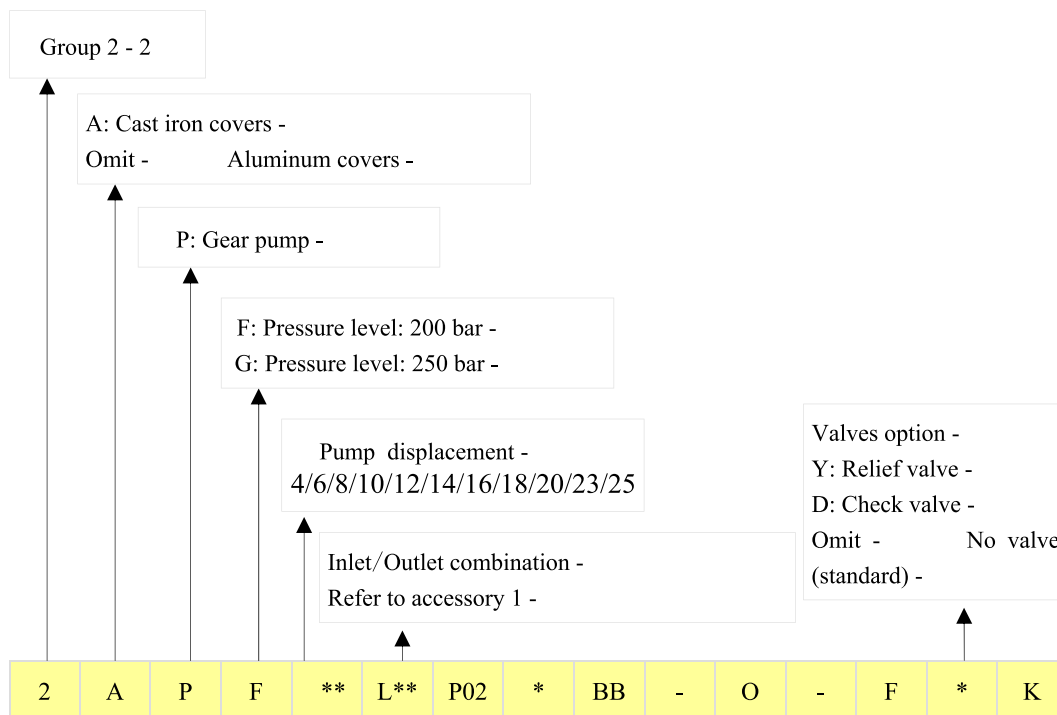


2PF



Shaft extension and flange combination -
Refer to accessory 2 -

Rotation direction -
B: Bi-directional -
L: CCW -
R: CW -

O: Outboard bearing
Omit - With out outboard bearing

F: FPM seal -
Omit - NBR seal -

Inlet/Outlet position combination -
BB: Back inlet and back outlet -
BS: Back inlet and side outlet -
SB: Side inlet and back outlet -
SS: Side inlet and side outlet -

Stackable pumps can be used as single pumps. They can also be combined into tandem pumps. Please refer to page 31 for more details.



2AD(T)PF**/**

Ordering Code -

2: Group 2 double pump or triple pump - 2
 2/1: Group 2+group 1 double pump - 2 +1

A: Cast iron covers -
 Omit - Aluminum covers -

DP: Double pump -
 TP: Triple pump -

F: Pressure level: 200 bar -
 G: Pressure level: 250 bar -

Front pump displacement -
 4/6/8/10/12/14/16/18/20/23/25

Rotation direction -
 L: CCW -
 R: CW -

F: FPM seal -
 Omit - NBR seal -

2 A DP F **/(**)/** DF02 (TF02) Z03 L - O F *

Middle pump displacement -
 4/6/8/10/12/14/16/18/20/23/25

Rear pump displacement -
 4/6/8/10/12/14/16/18/20/23/25

Inlet/Outlet combination -
 Refer to accessory 1 -

Shaft extension and flange combination -
 Refer to accessory 2 -

O: Outboard bearing
 Omit - With out outboard bearing

Valves option -
 Y: Relief valve -
 D: Check valve -
 Omit - No valve (standard) -

2PF

2AD(T)PF**/**



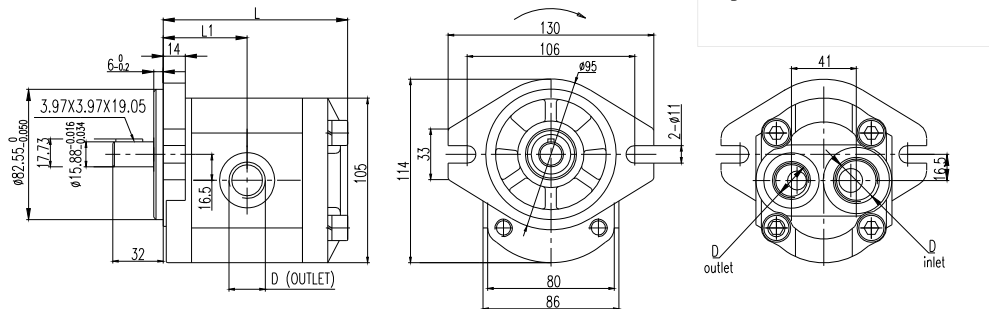
2PF**L**P02*

Specifications -

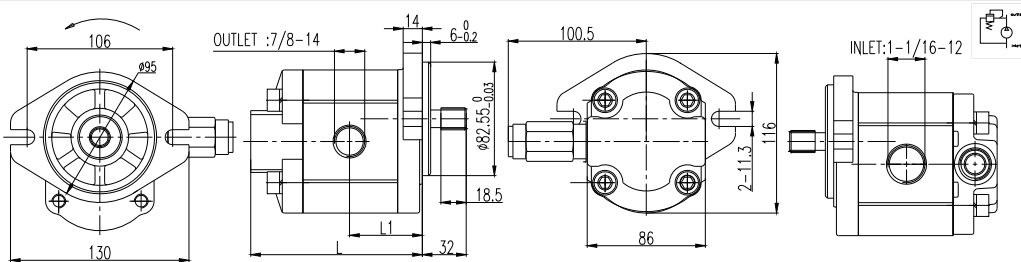
| Model | Displacement (ml/r) | Pressure (bar) | | Speed (r/min) | | | L (mm) | L1 (mm) | D (mm) | |
|--------------|---------------------|----------------|----------|---------------|------|-----|--------|---------|--------|--------|
| | | Rated | Peak | Rated | Max | Min | | | Inlet | Outlet |
| 2PF4L09P02* | 4 | 200(250) | 250(300) | 2000 | 3500 | 500 | 96 | 43.3 | PT 1/2 | PT 1/2 |
| 2PF6L09P02* | 6 | 200(250) | 250(300) | 2000 | 3500 | 500 | 98 | 45 | | |
| 2PF8L09P02* | 8 | 200(250) | 250(300) | 2000 | 3500 | 500 | 102 | 46.5 | | |
| 2PF10L09P02* | 10 | 200(250) | 250(300) | 2000 | 3500 | 500 | 104 | 48 | | |
| 2PF12L10P02* | 12 | 200(250) | 250(300) | 2000 | 3500 | 500 | 108 | 50 | PT 3/4 | PT 1/2 |
| 2PF14L10P02* | 14 | 200(250) | 250(300) | 2000 | 3500 | 500 | 110 | 51 | | |
| 2PF16L10P02* | 16 | 200(250) | 250(280) | 2000 | 3500 | 500 | 114 | 53 | | |
| 2PF18L10P02* | 18 | 200(250) | 250(280) | 2000 | 3500 | 500 | 117 | 55 | | |
| 2PF20L10P02* | 20 | 200(250) | 250(280) | 2000 | 3500 | 500 | 120 | 56 | | |
| 2PF23L10P02* | 23 | 200 | 250 | 2000 | 3000 | 500 | 123 | 58 | | |
| 2PF25L10P02* | 25 | 200 | 250 | 2000 | 3000 | 500 | 128 | 60 | | |
| 2PF28L10P02* | 28 | 160 | 200 | 2000 | 3000 | 500 | 133 | 63 | | |
| 2PF30L10P02* | 30 | 160 | 200 | 2000 | 3000 | 500 | 136 | 64 | | |

2PF

Dimension -



2PF**L**S03-Y With Relief Valves - 2PF**L**S03-Y



Adjusted Pressure of Relief Valves -

50 Bar to 250 Bar

2PF**L**P02*



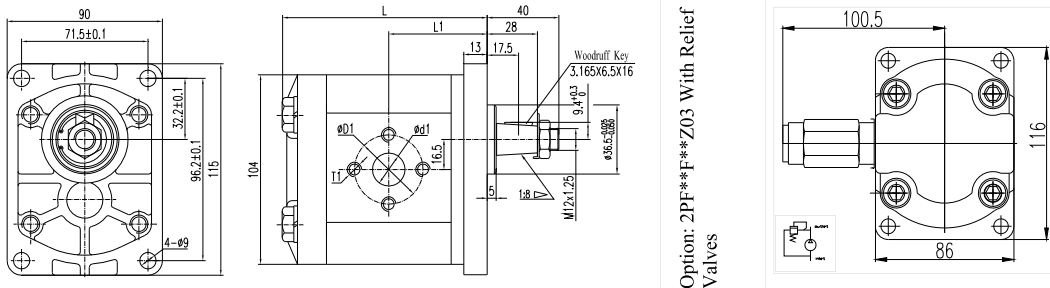
2PF**F**Z03*/2ADPF**DF02Z03

Specifications -

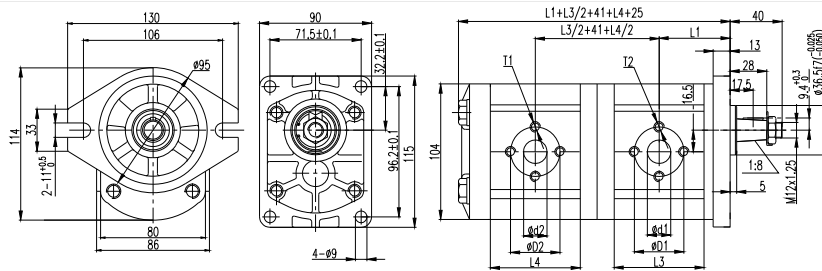
| Model | Displacement (ml/r) | Pressure (bar) | | Speed (r/min) | | | L (mm) | L1 (mm) | Inlet (mm) | | | Outlet (mm) | | |
|--------------|---------------------|----------------|----------|---------------|------|-----|--------|---------|------------|-----|----|-------------|-----|----|
| | | Rated | Peak | Rated | Max | Min | | | ϕD1 | ϕd1 | T1 | ϕD2 | ϕd2 | T2 |
| 2PF4F02Z03* | 4 | 200(250) | 250(300) | 2000 | 3500 | 500 | 95.5 | 43.3 | 30 | 13 | M6 | 30 | 13 | M6 |
| 2PF6F02Z03* | 6 | 200(250) | 250(300) | 2000 | 3500 | 500 | 99 | 45 | | | | | | |
| 2PF8F02Z03* | 8 | 200(250) | 250(300) | 2000 | 3500 | 500 | 102 | 46.5 | | | | | | |
| 2PF10F06Z03* | 10 | 200(250) | 250(300) | 2000 | 3500 | 500 | 105 | 48 | | | | | | |
| 2PF12F06Z03* | 12 | 200(250) | 250(300) | 2000 | 3500 | 500 | 108 | 49.5 | | | | | | |
| 2PF14F06Z03* | 14 | 200(250) | 250(300) | 2000 | 3500 | 500 | 111 | 51 | | | | | | |
| 2PF16F06Z03* | 16 | 200(250) | 250(280) | 2000 | 3500 | 500 | 114 | 52.5 | | | | | | |
| 2PF18F06Z03* | 18 | 200(250) | 250(280) | 2000 | 3500 | 500 | 117.5 | 54.3 | | | | | | |
| 2PF20F06Z03* | 20 | 200(250) | 250(280) | 2000 | 3500 | 500 | 121 | 56 | | | | | | |
| 2PF23F06Z03* | 23 | 200 | 250 | 2000 | 3000 | 500 | 125.5 | 58.3 | | | | | | |
| 2PF25F06Z03* | 25 | 200 | 250 | 2000 | 3000 | 500 | 128 | 59.5 | | | | | | |
| 2PF28F06Z03* | 28 | 160 | 200 | 2000 | 3000 | 500 | 133 | 62 | | | | | | |
| 2PF30F06Z03* | 30 | 160 | 200 | 2000 | 3000 | 500 | 136 | 63.5 | | | | | | |

2PF

Dimension -



2ADPF**/**DF02Z03* Double Pumps - 2ADPF**/**DF02Z03*



| Displacement - ml/r) | 4 | 6 | 8 | 10 | 12 | 14 | 16 | 18 | 20 | 23 | 25 | 28 | 30 |
|------------------------------|------|----|----|----|----|----|----|------|----|------|----|----|----|
| L3(Front Pump) L4(Rear Pump) | 50.5 | 54 | 57 | 60 | 63 | 66 | 69 | 72.5 | 76 | 80.5 | 83 | 88 | 91 |

2PF**F**Z03*/2ADPF**DF02Z03



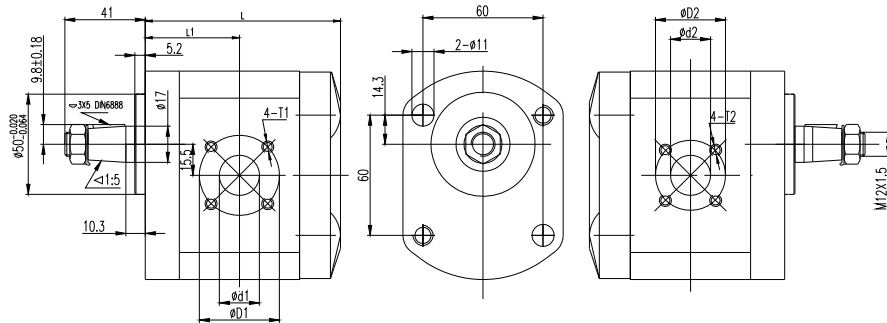
2APF**F**Z11*/2ADPF**F52D01*

Specifications -

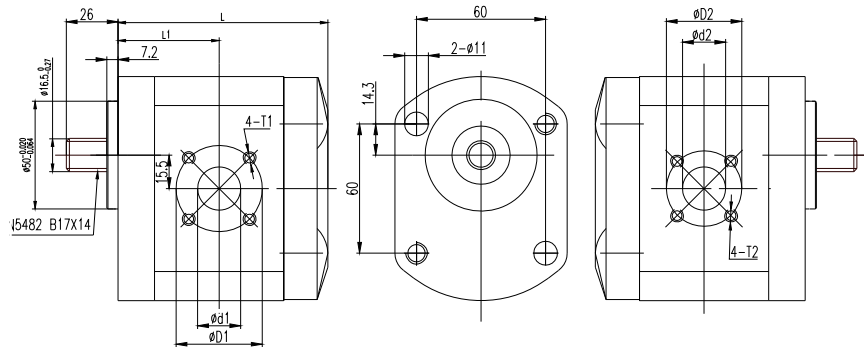
| Model | Displacement (ml/r) | Pressure (bar) | | Speed (r/min) | | | L (mm) | L1 (mm) | Inlet (mm) | | | Outlet (mm) | | |
|---------------|---------------------|----------------|----------|---------------|------|-----|--------|---------|------------|-----|----|-------------|-----|----|
| | | Rated | Peak | Rated | Max | Min | | | øD1 | ød1 | T1 | øD2 | ød2 | T2 |
| 2APF4F60Z11* | 4 | 200(250) | 250(300) | 2000 | 3500 | 500 | 95.5 | 43.3 | 40 | 15 | M6 | 35 | 15 | M6 |
| 2APF6F60Z11* | 6 | 200(250) | 250(300) | 2000 | 3500 | 500 | 99 | 45 | | | | | | |
| 2APF8F52Z11* | 8 | 200(250) | 250(300) | 2000 | 3500 | 500 | 102 | 46.5 | | | | | | |
| 2APF10F52Z11* | 10 | 200(250) | 250(300) | 2000 | 3500 | 500 | 105 | 48 | | | | | | |
| 2APF12F52Z11* | 12 | 200(250) | 250(300) | 2000 | 3500 | 500 | 108 | 49.5 | 40 | 20 | M6 | 35 | 15 | M6 |
| 2APF14F52Z11* | 14 | 200(250) | 250(300) | 2000 | 3500 | 500 | 111 | 51 | | | | | | |
| 2APF16F52Z11* | 16 | 200(250) | 250(280) | 2000 | 3500 | 500 | 114 | 52.5 | | | | | | |
| 2APF18F52Z11* | 18 | 200(250) | 250(280) | 2000 | 3500 | 500 | 117.5 | 54.3 | | | | | | |
| 2APF20F52Z11* | 20 | 200(250) | 250(280) | 2000 | 3500 | 500 | 121 | 56 | | | | | | |
| 2APF23F52Z11* | 23 | 200 | 250 | 2000 | 3000 | 500 | 125.5 | 58.3 | | | | | | |
| 2APF25F52Z11* | 25 | 200 | 250 | 2000 | 3000 | 500 | 128 | 59.5 | | | | | | |
| 2APF28F52Z11* | 28 | 160 | 200 | 2000 | 3000 | 500 | 133 | 62 | | | | | | |
| 2APF30F52Z11* | 30 | 160 | 200 | 2000 | 3000 | 500 | 136 | 63.5 | | | | | | |

2PF

Dimension -



2ADPF**F52D01* Gear Pumps - 2ADPF**F52D01*



2APF**F**Z11*/2ADPF**F52D01*



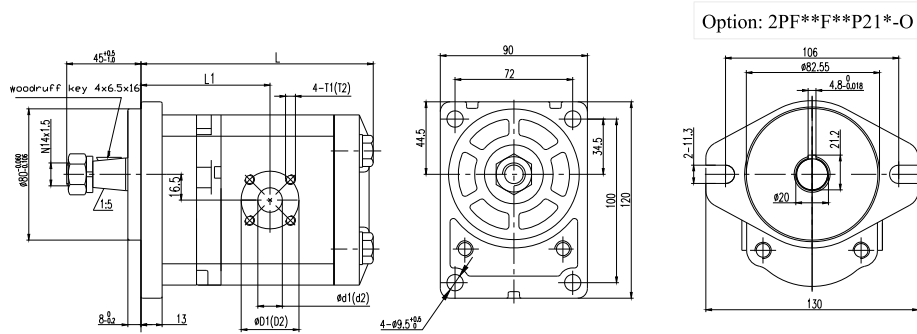
2PF**F**Z18*-O/2ADPF**DF05Z18*

Specifications -

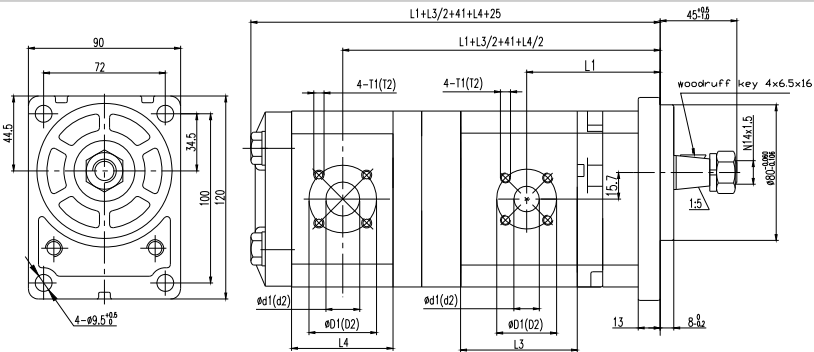
| Model | Displacement (ml/r) | Pressure (bar) | | Speed (r/min) | | | L (mm) | L1 (mm) | Inlet (mm) | | | Outlet (mm) | | |
|----------------|------------------------|-------------------|----------|------------------|------|-----|-----------|------------|---------------|-----|----|----------------|-----|----|
| | | Rated | Peak | Rated | Max | Min | | | ϕD1 | ϕd1 | T1 | ϕD2 | ϕd2 | T2 |
| 2PF4F60Z18*-O | 4 | 200(250) | 250(300) | 2000 | 3500 | 500 | 123 | 73 | 40 | 15 | M6 | 35 | 15 | M6 |
| 2PF6F60Z18*-O | 6 | 200(250) | 250(300) | 2000 | 3500 | 500 | 124 | 74 | | | | | | |
| 2PF8F52Z18*-O | 8 | 200(250) | 250(300) | 2000 | 3500 | 500 | 127 | 75 | | | | | | |
| 2PF10F52Z18*-O | 10 | 200(250) | 250(300) | 2000 | 3500 | 500 | 130 | 77 | 40 | 20 | M6 | 35 | 15 | M6 |
| 2PF12F52Z18*-O | 12 | 200(250) | 250(300) | 2000 | 3500 | 500 | 133 | 79 | | | | | | |
| 2PF14F52Z18*-O | 14 | 200(250) | 250(300) | 2000 | 3500 | 500 | 137 | 80 | | | | | | |
| 2PF16F52Z18*-O | 16 | 200(250) | 250(280) | 2000 | 3500 | 500 | 141 | 82 | 40 | 20 | M6 | 35 | 15 | M6 |
| 2PF18F52Z18*-O | 18 | 200(250) | 250(280) | 2000 | 3500 | 500 | 143 | 83 | | | | | | |
| 2PF20F52Z18*-O | 20 | 200(250) | 250(280) | 2000 | 3500 | 500 | 147 | 86 | | | | | | |
| 2PF23F52Z18*-O | 23 | 200 | 250 | 2000 | 3000 | 500 | 153 | 89 | 40 | 20 | M6 | 35 | 15 | M6 |
| 2PF25F52Z18*-O | 25 | 200 | 250 | 2000 | 3000 | 500 | 157 | 92 | | | | | | |

2PF

Dimension -



2ADPF**/**DF05Z18* Double Pumps - 2ADPF**/**DF05Z18*



| Displacement - ml/r | 4 | 6 | 8 | 10 | 12 | 14 | 16 | 18 | 20 | 23 | 25 | 28 | 30 |
|------------------------------|------|----|----|----|----|----|----|------|----|------|----|----|----|
| L3(Front Pump) L4(Rear Pump) | 50.5 | 54 | 57 | 60 | 63 | 66 | 69 | 72.5 | 76 | 80.5 | 83 | 88 | 91 |

2PF**F**Z18*-O/2ADPF**DF05Z18*



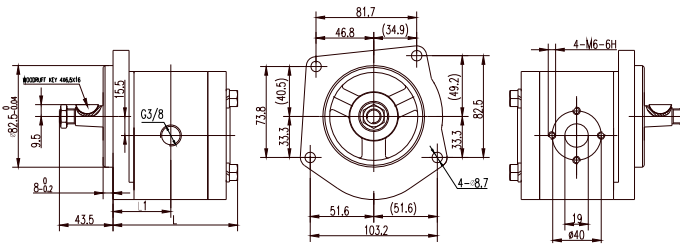
2PF**F**Z12*/2ADPF**DL**Z12*

Specifications -

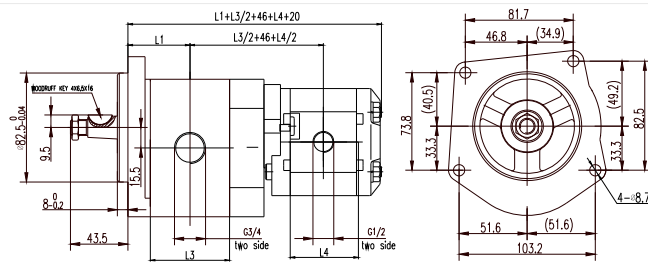
| Model | Displacement (ml/r) | Pressure (bar) | | Speed (r/min) | | | L (mm) | L1 (mm) | Inlet (mm) | | | Outlet (mm) |
|--------------|---------------------|----------------|----------|---------------|------|-----|--------|---------|------------|-----|----|-------------|
| | | Rated | Peak | Rated | Max | Min | | | øD1 | ød1 | T1 | |
| 2PF4LF5Z12* | 4 | 200(250) | 250(300) | 2000 | 3500 | 500 | 91.5 | 42.3 | 40 | 19 | M6 | G3/8 |
| 2PF6LF5Z12* | 6 | 200(250) | 250(300) | 2000 | 3500 | 500 | 95 | 44 | | | | |
| 2PF8LF5Z12* | 8 | 200(250) | 250(300) | 2000 | 3500 | 500 | 98 | 45.5 | | | | |
| 2PF10LF5Z12* | 10 | 200(250) | 250(300) | 2000 | 3500 | 500 | 101 | 47 | | | | |
| 2PF12LF5Z12* | 12 | 200(250) | 250(300) | 2000 | 3500 | 500 | 104.5 | 48.8 | | | | |
| 2PF14LF5Z12* | 14 | 200(250) | 250(300) | 2000 | 3500 | 500 | 107.5 | 50 | | | | |
| 2PF16LF5Z12* | 16 | 200(250) | 250(280) | 2000 | 3500 | 500 | 111 | 52 | | | | |
| 2PF18LF5Z12* | 18 | 200(250) | 250(280) | 2000 | 3500 | 500 | 114 | 54 | | | | |
| 2PF20LF5Z12* | 20 | 200(250) | 250(280) | 2000 | 3500 | 500 | 118 | 55 | | | | |
| 2PF23LF5Z12* | 23 | 200 | 250 | 2000 | 3500 | 500 | 122 | 58 | | | | |
| 2PF25LF5Z12* | 25 | 200 | 250 | 2000 | 3500 | 500 | 125 | 59 | | | | |
| 2PF28LF5Z12* | 28 | 160 | 200 | 2000 | 3500 | 500 | 130 | 61 | | | | |
| 2PF30LF5Z12* | 30 | 160 | 200 | 2000 | 3500 | 500 | 133 | 63 | | | | |

2PF

Dimension -



2ADPF**/**DL**Z12* Double Pumps - 2ADPF**/**DL**Z12*



| | | | | | | | | | | | | | |
|--------------------------|------|-----|-----|-----|-----|-----|-----|------|----|------|----|----|----|
| Front Displacement ml/r) | 4 | 6 | 8 | 10 | 12 | 14 | 16 | 18 | 20 | 23 | 25 | 28 | 30 |
| L3(Front Pump) | 50.5 | 54 | 57 | 60 | 63 | 66 | 69 | 72.5 | 76 | 80.5 | 83 | 88 | 91 |
| Rear Displacement ml/r) | 1.3 | 2.0 | 2.7 | 3.4 | 4.1 | 5.1 | 6.1 | / | / | / | / | / | / |
| L4(Rear Pump) | 44 | 46 | 48 | 50 | 52 | 55 | 58 | / | / | / | / | / | / |

2PF**F**Z12/2ADPF**DL**Z12*



2PF+2PF STACKABLE PUMP ASSEMBLING MANUAL

Step1: Remove rear cover from the front pump. Also remove front cover and pins from the rear pump.

Front Pump -

Remove the rear cover

Rear Pump -

Remove the front cover

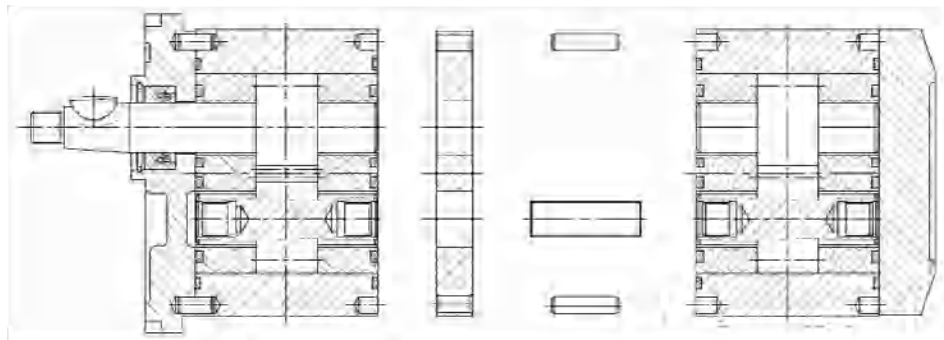
Remove two pins

Remove the shaft as step2

Cut off this part.

Step2: Cut the shaft of rear pump.

Step3: Assemble the pumps with coupling kit (connecting shaft, bearing carrier and connecting bolts).



Step: Screw 4 pcs of long connecting bolts.

Remove the original bolts and use the long connecting bolts.

