

Group 3

A: Cast iron covers -
B: Side plate structure -
Omit - Aluminum covers -
E: Cast iron covers +Side plate structure -

P: Gear pump -
DP: Double pump -

Stackable pumps can be used as single pumps. They can also be combined into tandem pumps. Please refer to page 31 for more details.

F: Pressure level: 200 bar -

Pump displacement -
4/6/8/10/12/14/16/18/20/23/25

F: FPM seal -
Omit - NBR seal -

3PF

3 A P F ** F** Z05 * BB - O - F * K

Inlet/Outlet combination -
Refer to accessory 1 -

Shaft extension and flange combination -
Refer to accessory 2 -

Rotation direction -
B: Bi-directional -
L: CCW -
R: CW -

O: Outboard bearing
Omit - With out outboard bearing

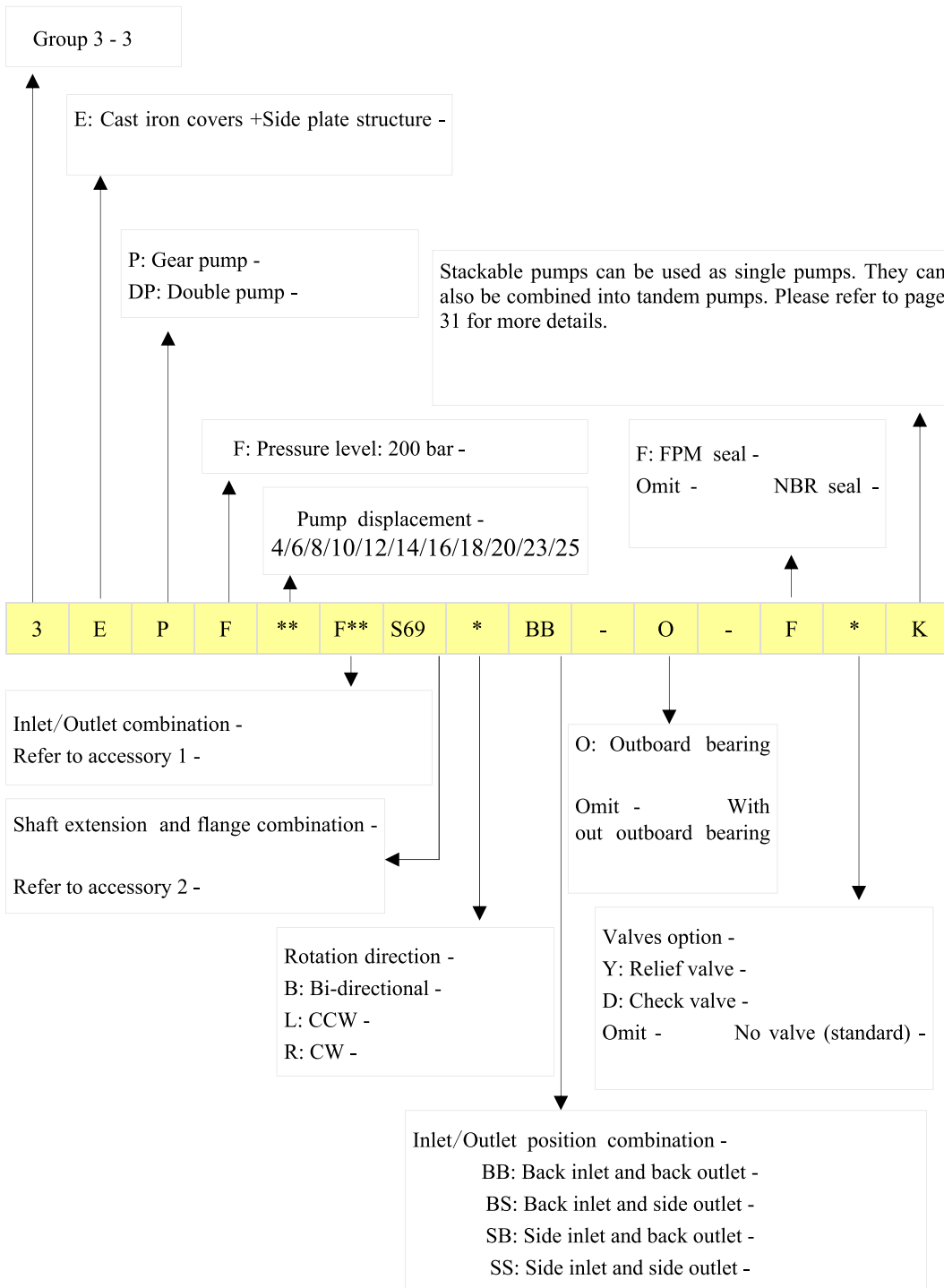
Valves option -
Y: Relief valve -
D: Check valve -
Omit - No valve (standard) -

Inlet/Outlet position combination -
BB: Back inlet and back outlet -
BS: Back inlet and side outlet -
SB: Side inlet and back outlet -
SS: Side inlet and side outlet -



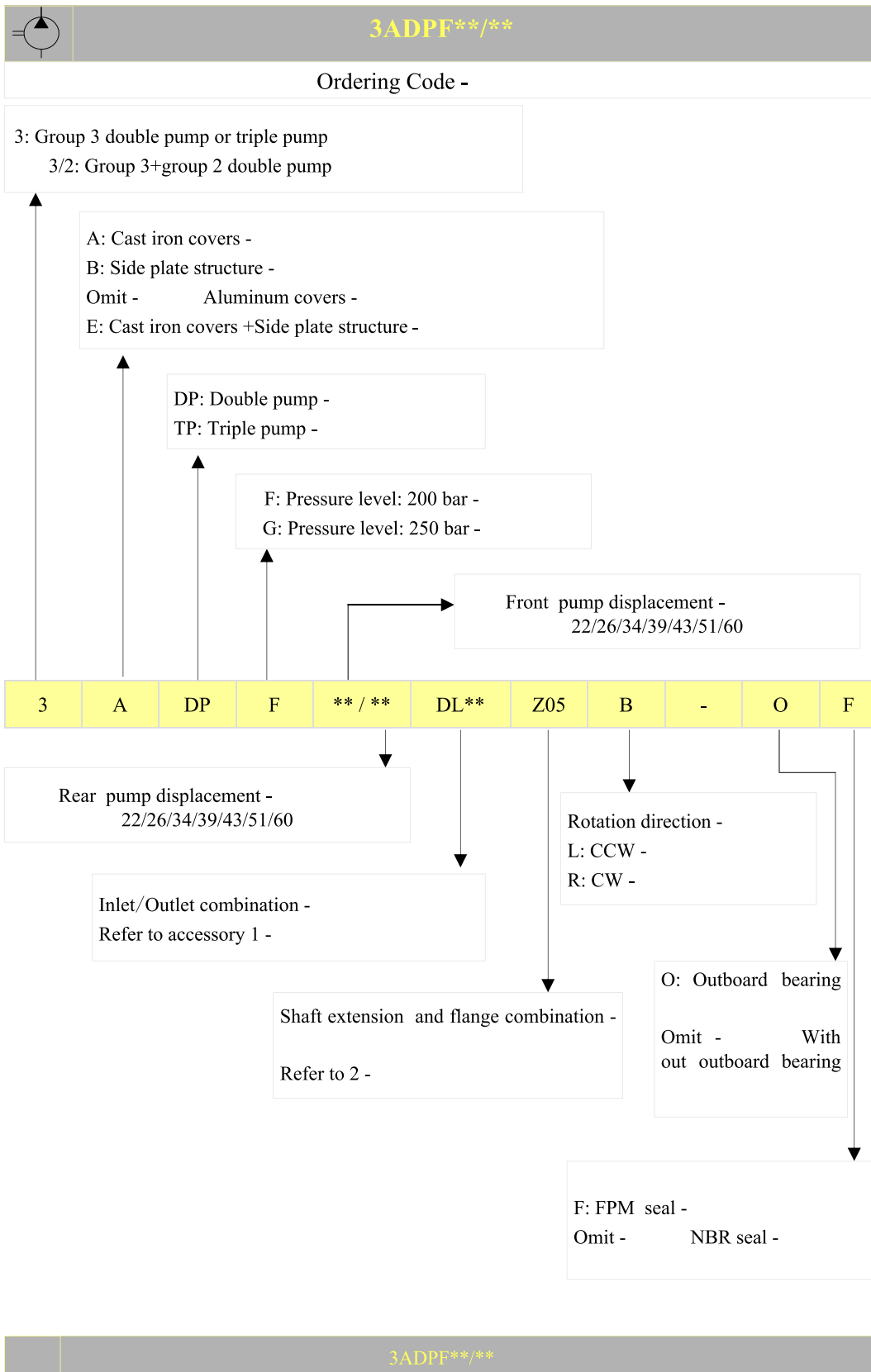
3EPF**F**S69*

Ordering Code -



3PF

3EPF**F**S69*



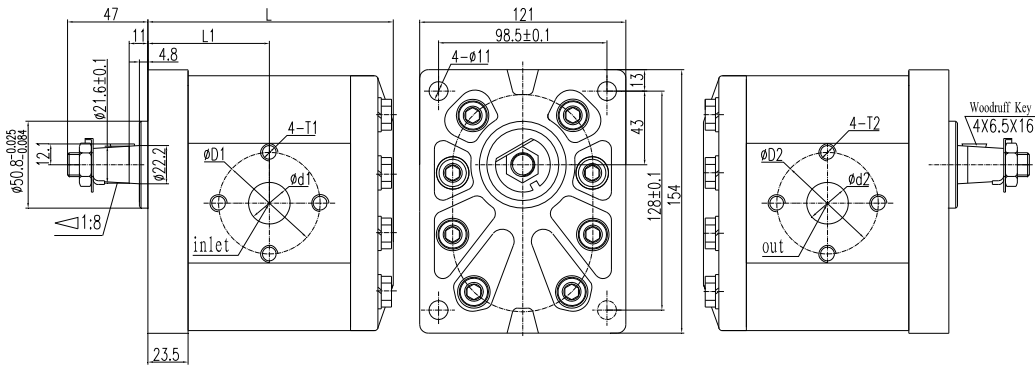


3APF**F**Z05*

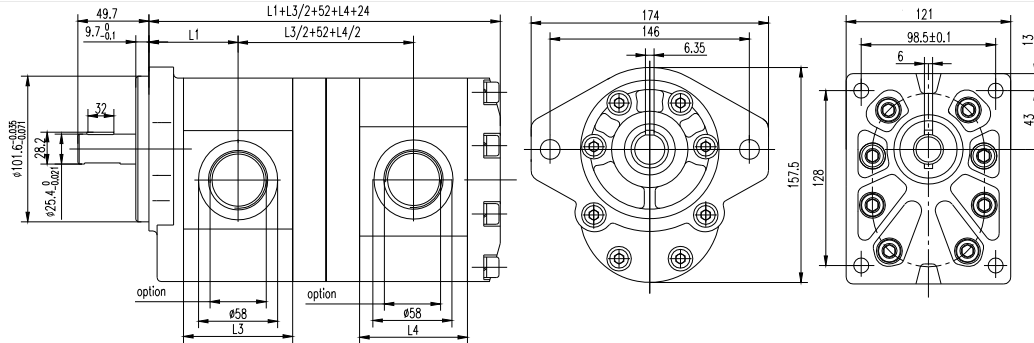
Specifications -

Model	Displacement (ml/r)	Pressure (bar)		Speed (r/min)			L (mm)	L1 (mm)	ϕD1 (mm)	ϕd1 (mm)	T1 (mm)	ϕD2 (mm)	ϕd2 (mm)	T2 (mm)	
		Rated	Peak	Rated	Max	Min									
3APF22F10	22	200(250)	250(300)	2000	3000	400	128.5	65.5	56	27	M10	56	19	M10	
3APF26F10	26	200(250)	250(300)	2000	3000	400	131.5	67							
3APF34F10	34	200(250)	250(300)	2000	3000	400	137	69.8							
3APF39F10	39	200(250)	250(300)	2000	3000	400	141	71.8							
3APF43F09	43	200(250)	250(300)	2000	2800	400	143.5	73	51	27	M10	51	27	M10	
3APF51F11	51	200(250)	250(300)	2000	2400	400	149.5	76	56	27		56	27		
3APF60F12	60	180(200)	230(250)	1500	2800	400	156	79.3	62	33	M10	51	27	M10	
3APF70F12	70	180(200)	200(230)	1500	2500	400	163	82.8							
3APF78F12	78	160(200)	200(230)	1500	2300	400									
3APF89F12	89	140(180)	180(200)	1500	2000	400									

Dimension -



3APF**/DL**P88* DOUBLE PUMPS - 3APF**/DL**Z05(S05)*



Displacement - ml/r	22	26	34	39	43	51	60	70
L3(Front Pump) L4(Rear Pump)	80	83	88.5	92.5	95	101	107.5	114.5

3APF**F**Z05*

3PF



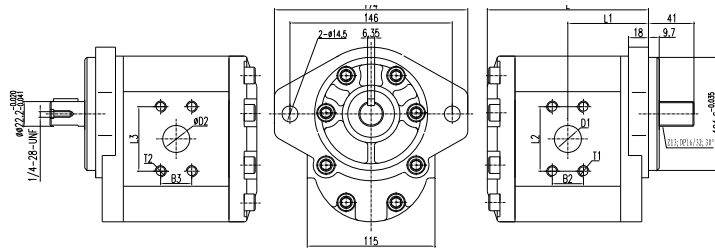
3APF**

Specifications -

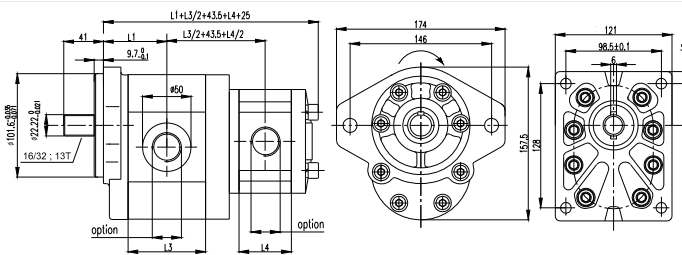
Model	Displacement (ml/r)	Pressure (bar)		Speed (r/min)			L (mm)	L1 (mm)	L2 (mm)	B2 (mm)	ϕD1 (mm)	T1 (mm)	L3 (mm)	B3 (mm)	ϕD2 (mm)	T2 (mm)
		Rated	Peak	Rated	Max	Min										
3APF22F32	22	200 (250)	250 (300)	2000	3000	400	130.3	65.3	52.4	26.2	27	3/8 16UN C-2B	26.2	47.6	19	3/8 16UN C-2B
3APF26F32	26	200 (250)	250 (300)	2000	3000	400	133.3	66.8								
3APF34F32	34	200 (250)	250 (300)	2000	3000	400	138.8	69.6								
3APF39F32	39	200 (250)	250 (300)	2000	3000	400	142.8	71.6								
3APF43F32	43	200 (250)	250 (300)	2000	2800	400	145.3	72.8								
3APF51F32	51	200 (250)	250 (300)	2000	2400	400	151.3	75.8								
3APF60F36	60	180 (200)	230 (250)	1500	2800	400	157.8	79.1	58.7	28.4	33	7/16 14UN C-2B	26.2	52.4	27	
3APF70F36	70	180 (200)	200 (230)	1500	2500	400	164.8	82.5								
3APF78F36	78	160 (200)	200 (230)	1500	2300	400	171	85								
3APF89F36	89	140 (180)	180 (200)	1500	2000	400	176	88								

3PF

Dimension -



3/2APF**/**DL**Z05(S05)* DOUBLE PUMPS - 3/2APF**/**DL**Z05(S05)*



Displacement - ml/r)	22	26	34	39	43	51	60	70	/	/	/	/	/
L3(Front Pump)	80	83	88.5	92.5	95	101	107.5	114.5	/	/	/	/	/
Displacement - ml/r)	4	6	8	10	12	14	16	18	20	23	25	28	30
L4(Rear Pump)	50.5	54	57	60	63	66	69	72.5	76	80.5	83	88	91

3APF**

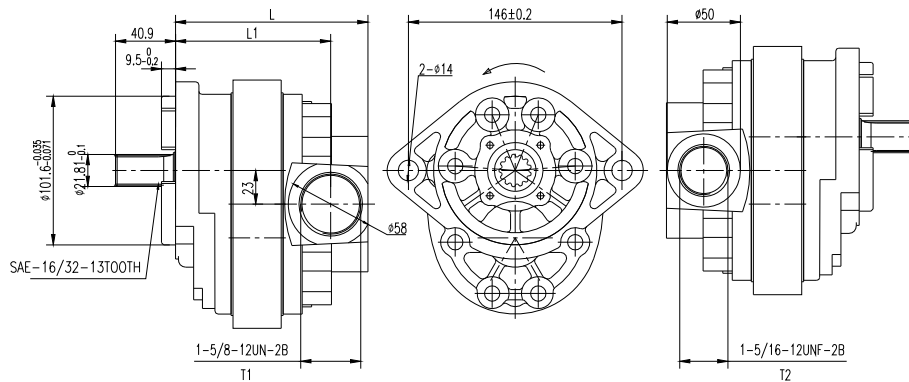


3BPF**LJ53S05*

Specifications -

Model	Displacement (ml/r)	Pressure (bar)		Speed (r/min)			L (mm)	L1 (mm)	T1 (mm)	T2 (mm)
		Rated	Peak	Rated	Max	Min				
3BPF22LJ53S05*	22	200	250	2000	3000	400	111.6	85.6	1-5/8-12UNC-2B	1-5/16-12UNC-2B
3BPF26LJ53S05*	26	200	250	2000	3000	400	114.5	88.5		
3BPF34LJ53S05*	34	200	250	2000	3000	400	120.2	94.2		
3BPF39LJ53S05*	39	200	250	2000	3000	400	123.8	97.8		
3BPF43LJ53S05*	43	200	250	2000	2800	400	126.5	100.5		
3BPF50LJ53S05*	50	200	250	2000	2400	400	131.5	105.5		
3BPF60LJ53S05*	60	180	230	1500	2800	400	138.5	112.5		
3BPF63LJ53S05*	63	180	200	1500	2500	400	140.8	114.8		

Dimension -



3PF

Ordering Code

Group Number	Structure Improve Number	Function Code	Pressure Level Code	Displacement	Inlet/Outlet Combination	Shaft Extension Combination	Rotation
3	B	P	F	**	LJ53	S05	/L
3 Group	Second Improve	Gear Pump	F:18-25 MPa	Refer to Above Table	LJ53, etc Refer to Accessory1	P16, S05,etc Refer to accessory 2	L-left Omit-Right

3BPF**LJ53S05

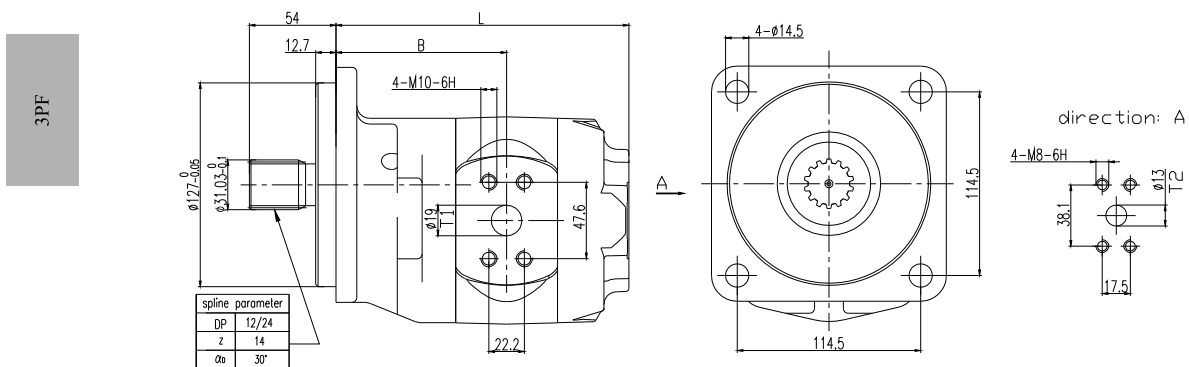


3EPF**F**S69*

Specifications -

Model	Displacement (ml/r)	Pressure (bar)		Speed (r/min)		L (mm)	B (mm)	T1 (mm)	T2 (mm)
		Rated	Peak	Max	Min				
3EPF16.4	16.4	218	250	2400	600	151	90.6	∅19	∅13
3EPF24.6	24.6	218	250	2400	600	157.4	93.8		
3EPF32.8	32.8	218	250	2400	600	163.7	97		
3EPF41	41	218	250	2400	600	170	100		
3EPF49.2	49.2	218	250	2400	600	176.4	103.3		
3EPF57.3	57.3	180	210	2400	600	182.8	106.5		
3EPF65.5	65.5	180	210	2400	600	189	109.7		

Dimension -



Ordering Code

Group Number	Structure Improve Number	Function Code	Pressure Level Code	Displacement	Inlet/Outlet Combination	Shaft Extension Combination	Rotation
3	E	P	F	**	F22	S69	/L
3 Group	Second Improve	Gear Pump	18-25 MPa	Refer to Above Table	LJ53, etc Refer to Accessory1	P16, S05, etc Refer to accessory 2	L-left Omit-Right

3BPF**F**S69

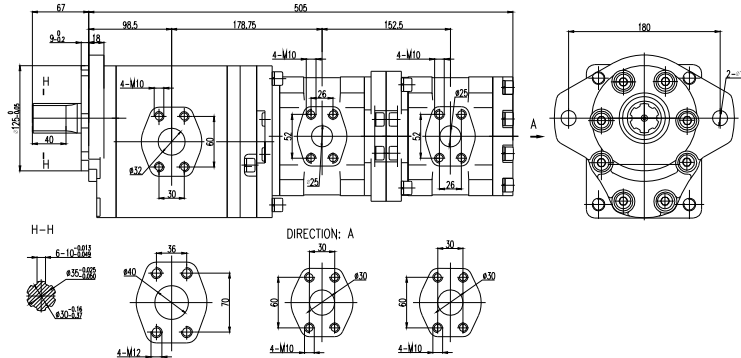


3C BY3100/Y240/Y240/TF03H18 TRIPLE GEAR PUMP -

Specifications -

Front Pump Displacement (cc/r)	Middle Pump Displacement (cc/r)	Rear Pump Displacement (cc/r)	Pressure (bar)		Speed (r/min)			Rotation
			Rated	Peak	Rated	Max	Min	
100	40	40	200	250	2000	3000	600	Clockwise

Dimension -

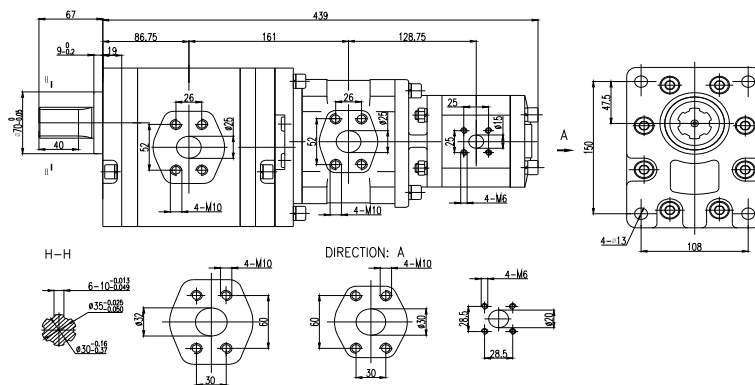


3C BY350/Y232/2PF16TF04H19 TRIPLE GEAR PUMP -

Specifications -

Front Pump Displacement (cc/r)	Middle Pump Displacement (cc/r)	Rear Pump Displacement (cc/r)	Pressure (bar)		Speed (r/min)			Rotation
			Rated	Peak	Rated	Max	Min	
50	32	16	200	250	2000	3000	600	Clockwise

Dimension -



TRIPLE GEAR PUMP -

3PF

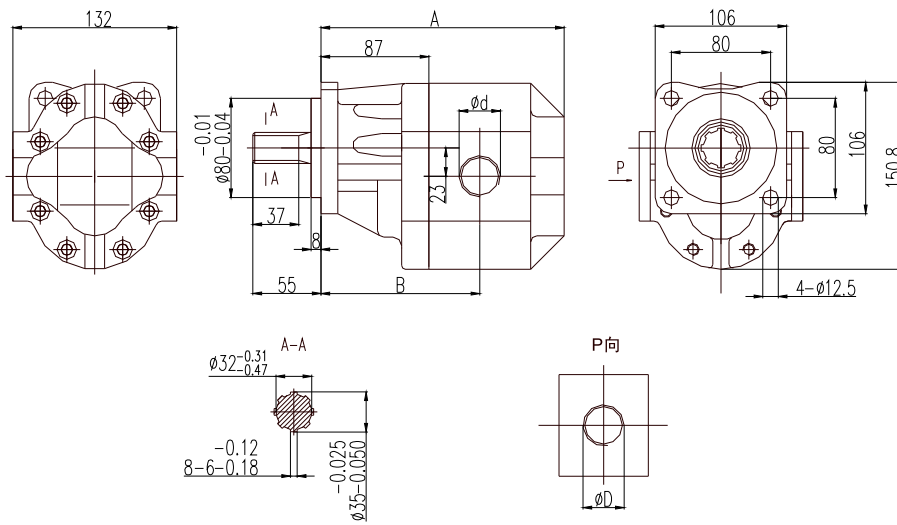


3CPF**L**H27

Specifications -

Model	Displacement ml/r	Pressure bar		Speed r/min			A (mm)	B (mm)	D (mm)	d (mm)	(kg)
		Rated	Peak	Rated	Max	Min					
3CPF43L03H27	43	210	300	2000	3000	300	171	115.5	G1	G3/4	12.8
3CPF51L00H27	51	210	300	2000	3000	300	177	118.5	G1	G1	13.2
3CPF61L00H27	61	210	300	2000	3000	300	183.6	121.8	G1	G1	13.6
3CPF82L11H27	82	210	300	2000	3000	300	196	128	G1-1/4	G1	14.1

Dimension -



3PF

3CPF**L**H27