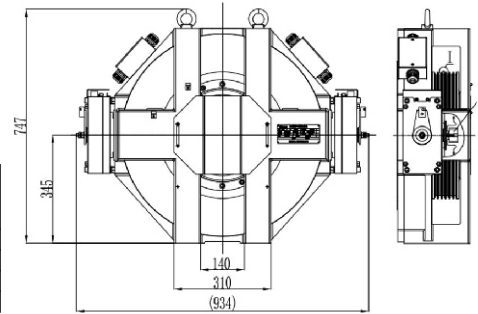
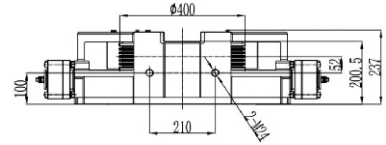


Max. axle load	3000kg
Motor weight	330kg
Working duty	S5-40%ED
Protection class	IP 41



Model No.	Trace Ratio	Rtd Load (kg)	Rtd Speed (m/s)	Rotation Speed (r/min)	Rtd Torque (N.m)	Rtd Power (kW)	Rtd Volt (V)	Rtd Current (A)	Rtd Frequency (Hz)	Diameter (mm)	Rope (mm)	Groove pitche (mm)
GT345E-063-100-2	2:1	630	1	96	388	5	380	11	32	400	5xφ10	15
GT345E-063-160-2	2:1	630	1.6	153	387	8.2	380	16	51	400	5xφ10	15
GT345E-100-100-2	2:1	1000	1	96	612	6.15	380	18.7	32	400	5xφ10	15
GT345E-100-160-2	2:1	1000	1.6	153	618	9.9	380	27.3	51	400	5xφ10	15