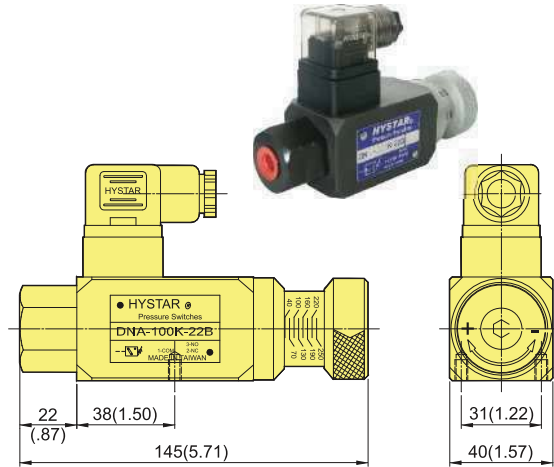
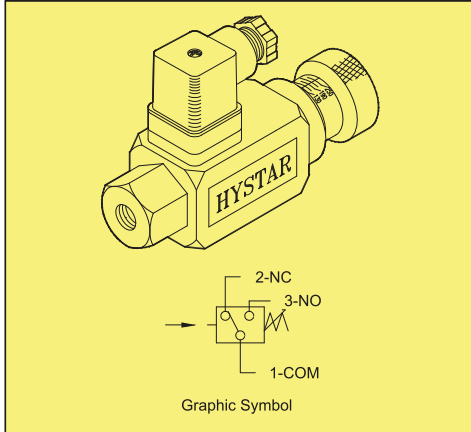


## DIMENSIONS

MILLIMETERS(INCHES)

### DNA Series Pressure Switches



### Ordering Code

**DNA - 100K - 22B**

①                      ②                      ③

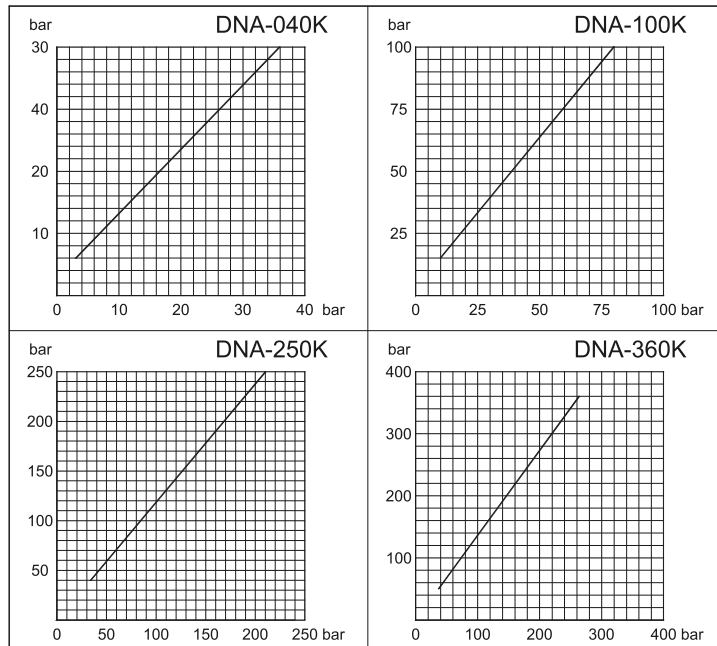
① Series  
DNA-  
Direct read-out,  
Standard type.

② Pressure Adj. Range

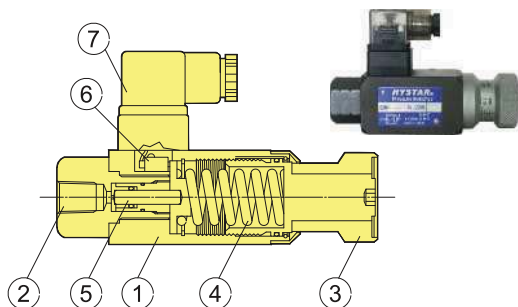
Model	Pres Adj. Range bar	Surge Pres. bar	Weight kg
040K	6~ 40	150	1.0
100K	15~100	250	1.0
250K	40~250	300	1.0
360K	50~360	400	1.0

③ Design Number  
22B:1/4"PT(Rc)  
22B80:1/4"PF(G)  
22B90:1/4"NPT

### Hysteresis Diagrammes



### Schematic Cross-Section



No.	Part Name
1	Body(Casting-Iron)
2	Connection Port 1/4"PT(Rc)
3	Pressure Adj. Knob
4	Spring
5	Servo-Piston
6	Micro-Switch
7	Electrical Connector

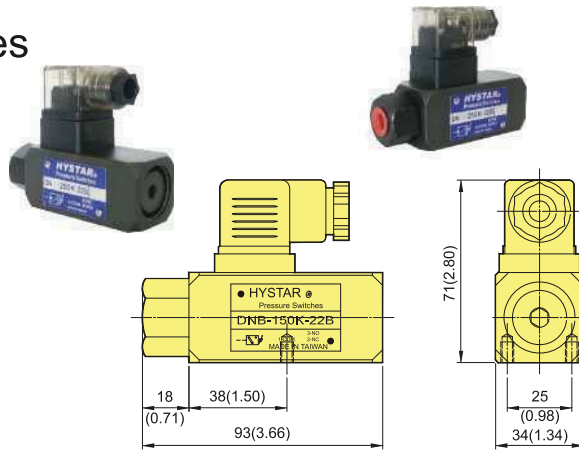
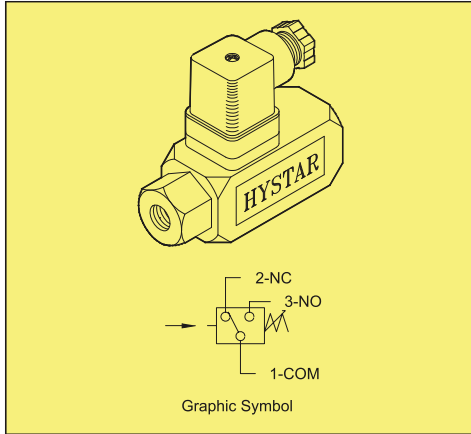


# PRESSURE SWITCH

## DIMENSIONS

## MILLIMETERS(INCHES)

### DNB Series Pressure Switches



### Ordering Code

**DNB - 150K - 22B**

- ①                      ②                      ③

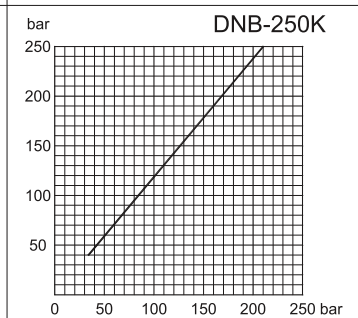
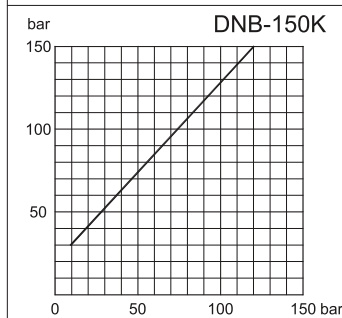
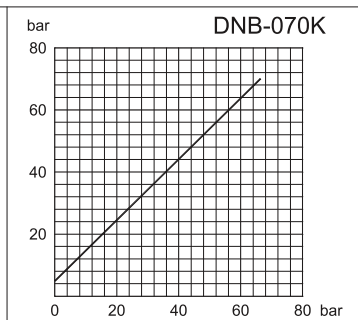
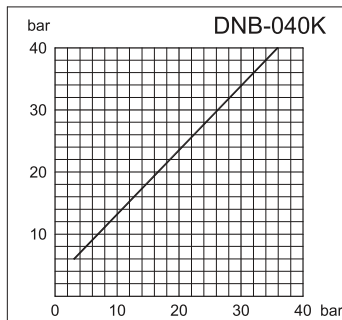
① Series  
DNB-  
General type.

② Pressure Adj. Range

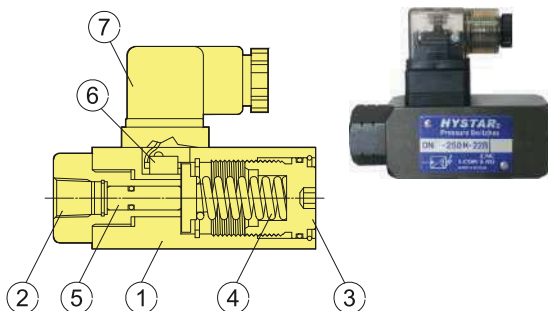
Model	Pres Adj. Range bar	Surge Pres. bar	Weight kg
040K	6~ 40	150	0.6
070K	5~ 70	200	0.6
150K	30~150	300	0.6
250K	40~250	300	0.6

③ Design Number  
22B:1/4"PT(Rc)  
22B80:1/4"PF(G)  
22B90:1/4"NPT

### Hysteresis Diagrammes



### Schematic Cross-Section

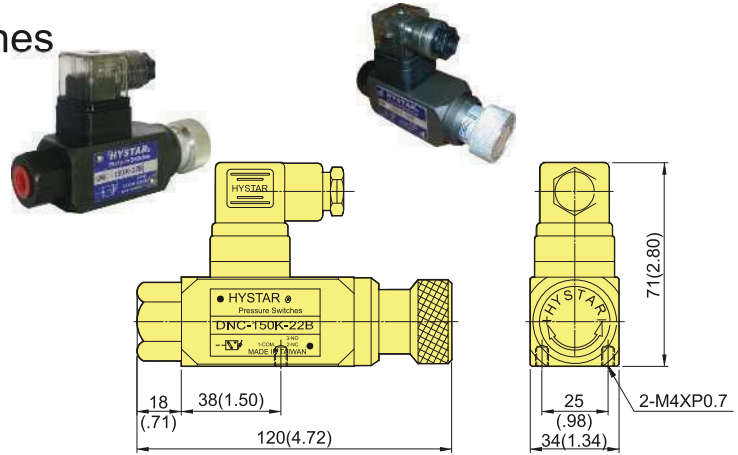
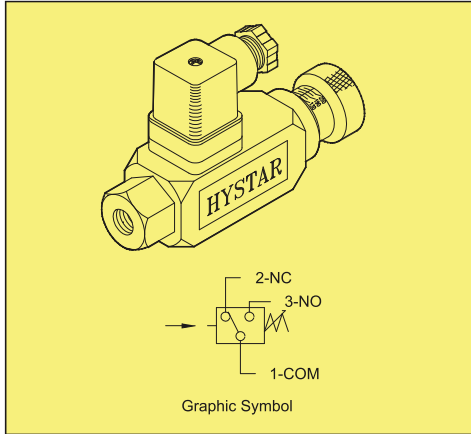


No.	Part Name
1	Body(Casting-Iron)
2	Connection Port 1/4"PT(Rc)
3	Pressure Adj. Knob
4	Spring
5	Servo-Piston
6	Micro-Switch
7	Electrical Connector

## DIMENSIONS

MILLIMETERS(INCHES)

### DNC Series Pressure Switches



### Ordering Code

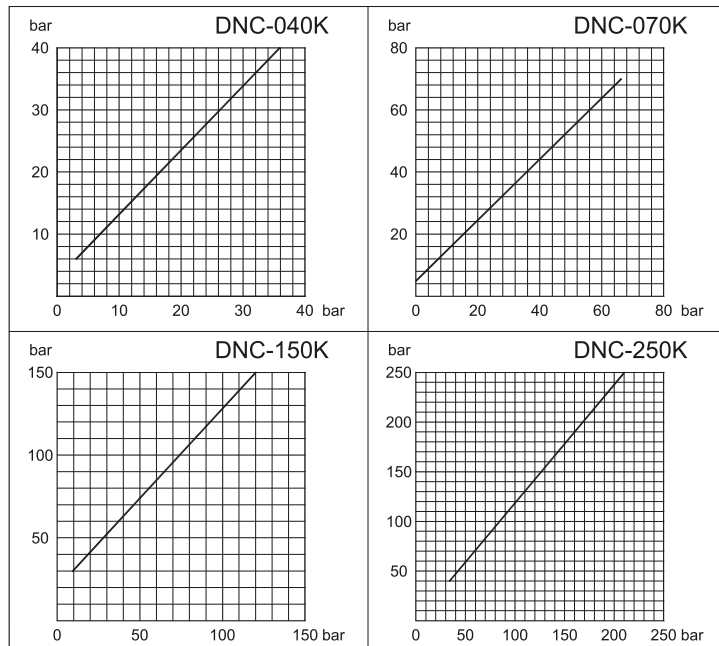
**DNC - 150K - 22B**

- ① Series DNC- General type.
- ② Pressure Adj. Range

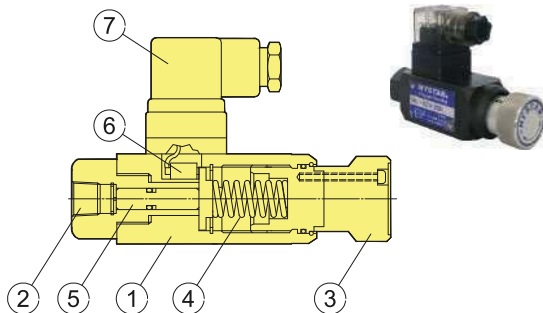
Model	Pres Adj. Range bar	Surge Pres. bar	Weight kg
040K	6~ 40	150	0.6
070K	5~ 70	200	0.6
150K	30~150	300	0.6
250K	40~250	300	0.6

- ③ Design Number  
22B:1/4"PT(Rc)  
22B80:1/4"PF(G)  
22B90:1/4"NPT

### Hysteresis Diagrammes



### Schematic Cross-Section



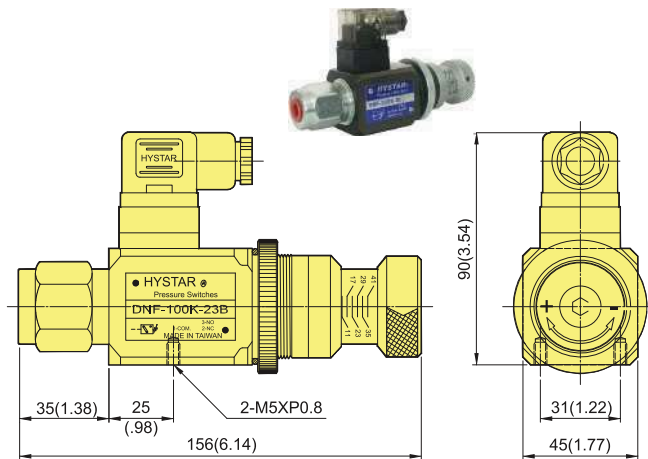
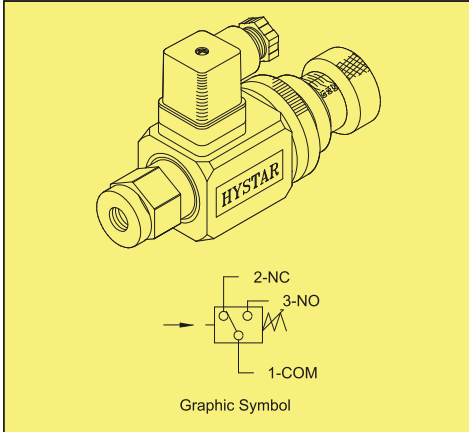
No.	Part Name
1	Body(Casting-Iron)
2	Connection Port 1/4"PT(Rc)
3	Pressure Adj. Knob
4	Spring
5	Servo-Piston
6	Micro-Switch
7	Electrical Connector



## DIMENSIONS

MILLIMETERS(INCHES)

### DNF Series Pressure Switches



### Ordering Code

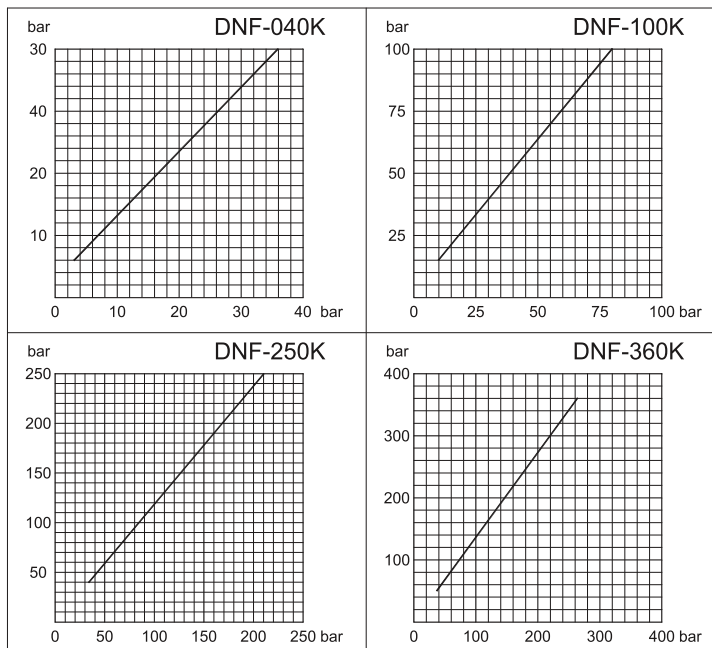
**DNF - 100K - 30B**

- ① Series DNF- Direct read-out, Panel mounting type.
- ② Pressure Adj. Range

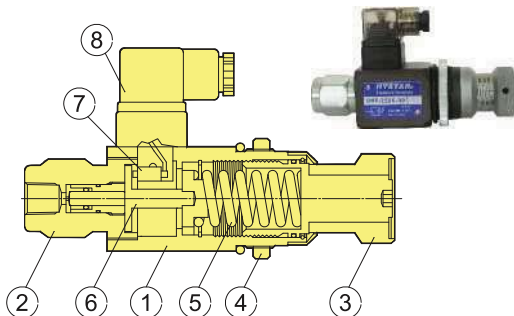
Model	Pres Adj. Range bar	Surge Pres. bar	Weight kg
040K	6~ 40	200	1.2
100K	15~100	350	1.2
250K	40~250	350	1.2
360K	50~360	400	1.2

- ③ Design Number  
 30B:1/4"PT(Rc)  
 30B80:1/4"PF(G)  
 30B90:1/4"NPT

### Hysteresis Diagrammes



### Schematic Cross-Section



No.	Description
1	Body(Casting-Iron)
2	Connection Port 1/4"PT(Rc)
3	Pressure Adj. Knob
4	Knob Set Screw
5	Spring
6	Servo-Piston
7	Micro-Switch
8	Electrical Connector

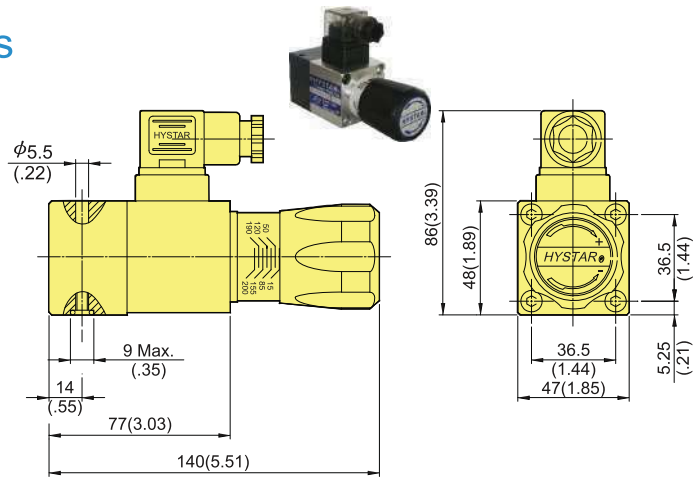
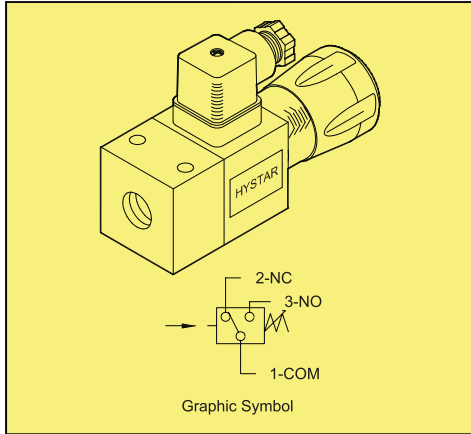


# PRESSURE SWITCH

## DIMENSIONS

MILLIMETERS(INCHES)

### DNL Series Pressure Switches



### Ordering Code

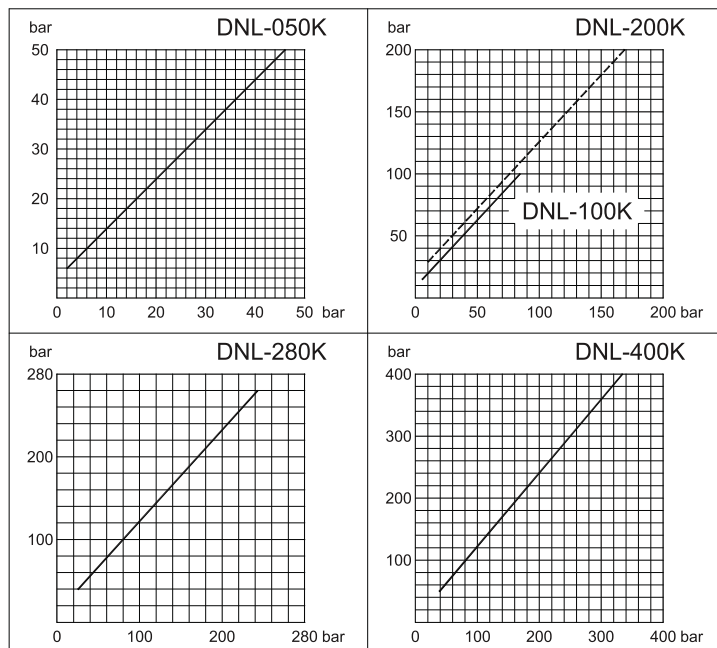
**DNL - 100K - 21B**

- ① Series  
DNL- Direct read-out,  
Heavy-duty micro-switch.
- ② Pressure Adj. Range

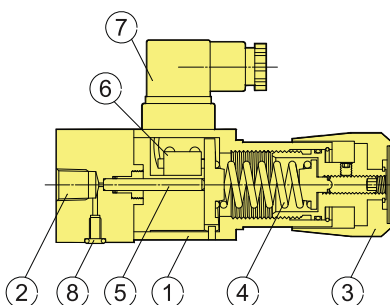
Model	Pres Adj. Range	Surge Pres.	Weight
	bar	bar	
050K	6~ 50	200	1.0
100K	15~100	300	1.0
200K	30~200	300	1.0
280K	40~280	350	1.0
400K	50~400	450	1.0

- ③ Design Number  
21B:1/4"PT(Rc)  
21B80:1/4"PF(G)  
21B90:1/4"NPT

### Hysteresis Diagrammes



### Schematic Cross-Section



No.	Part Name
1	Body(Casting-Iron)
2	Connection Port 1/4"PT(Rc)
3	Pressure Adj. Knob
4	Spring
5	Servo-Piston
6	Micro-Switch
7	Electrical Connector
8	O-ring P6(M5XP0.8) Sub-Plate Mounting