

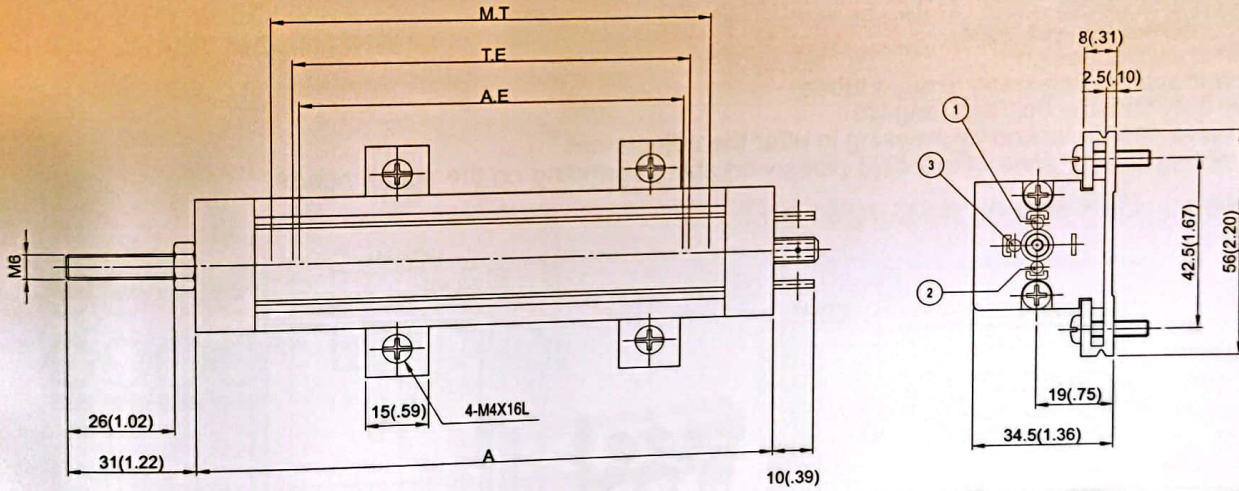
RATINGS

KTC Series		75	100	150	225	300	375	450	525	600	750	900
Total Electrical Travel(T.E)	mm (inch)	76 (2.99)	102 (4.02)	152 (5.98)	229 (9.02)	305 (12.01)	381 (15.00)	457 (17.99)	533 (20.98)	610 (24.02)	762 (30.00)	914 (35.98)
Active Electrical Travel(A.E)	mm (inch)	75 (2.95)	100 (3.94)	150 (5.91)	226 (8.90)	302 (11.89)	378 (14.88)	455 (17.91)	531 (20.91)	607 (23.90)	759 (29.88)	912 (35.91)
Resistance $\pm 20\%$	k Ω	2.5	3.4	5.0	2.4	3.2	4.0	4.8	5.6	6.4	8.0	9.6
Independent Linearity	$\pm \%$	0.07	0.07	0.07	0.07	0.07	0.07	0.05	0.05	0.05	0.05	0.05
Mechanical Travel(M.T)	mm (inch)	79 (3.11)	104 (4.09)	155 (6.10)	231 (9.09)	307 (12.09)	384 (15.12)	460 (18.11)	536 (21.10)	612 (24.09)	765 (30.12)	917 (36.10)
Resolution		infinite										
Recommended Cursor Current	μA	<1										
Temperature Range	$^{\circ}C$	-55~+125										
Dimensions A	mm (inch)	139 (5.47)	164 (6.46)	215 (8.46)	291 (11.46)	367 (14.44)	444 (17.48)	520 (20.47)	596 (23.46)	672 (26.46)	825 (32.48)	977 (38.46)

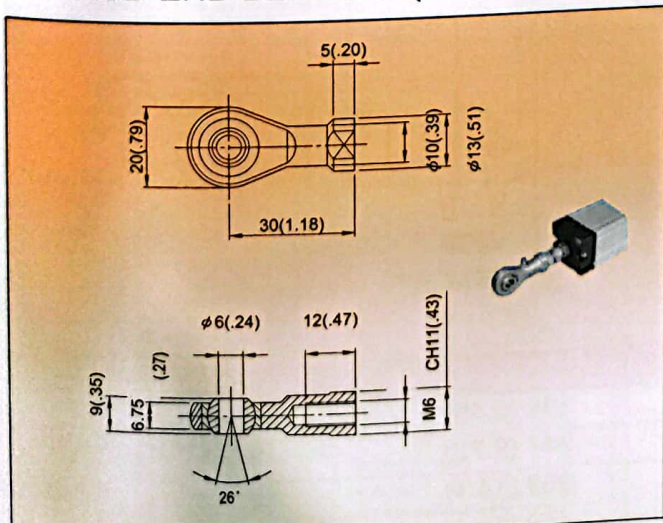
DIMENSIONS

mm(inch)

MECHANICAL KTC



ROD END BEARING (KTC-01)



LINK BALL (KTC-02)

